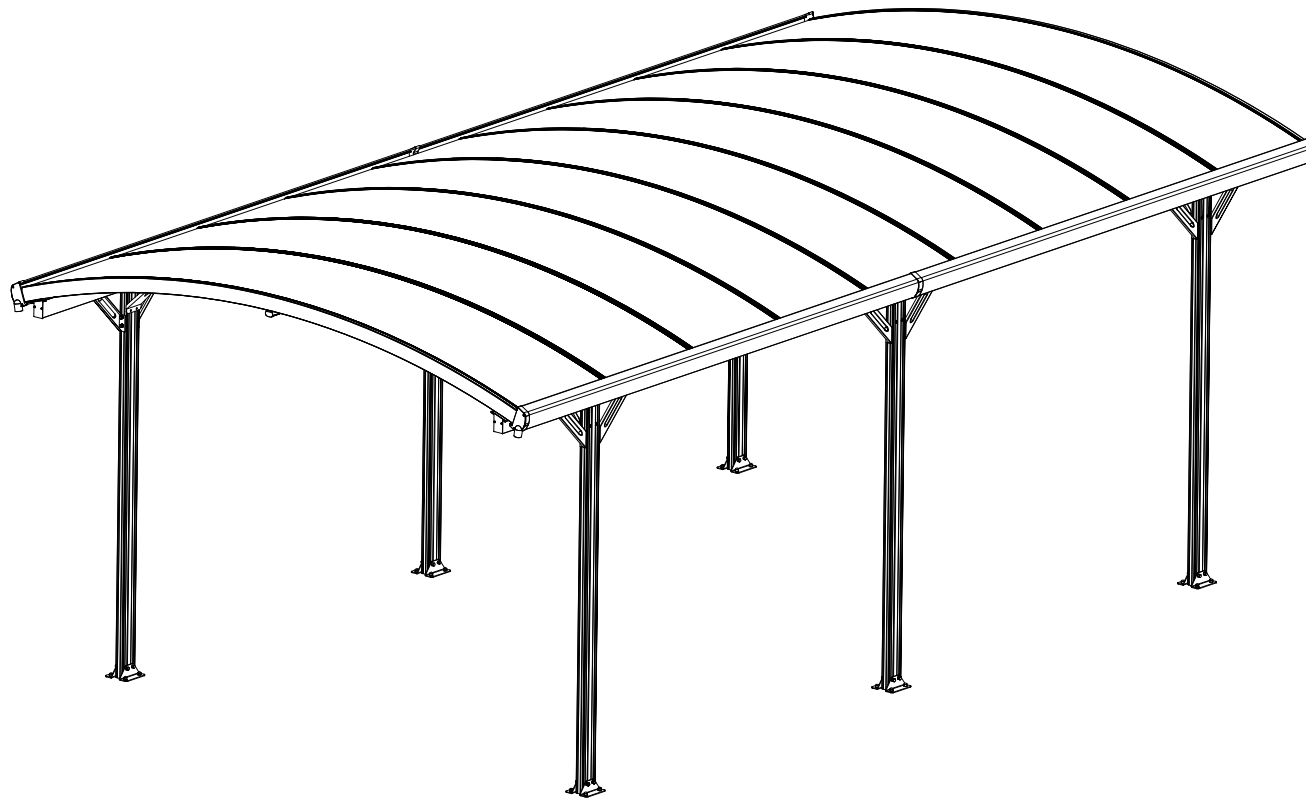


Carport Assembly Instructions

URSULA



MODEL: CARPORT PROFI

Product Size(LxWxH): 568x303x188/222cm

IMPORTANT

Please read the instructions carefully before you start to assemble this patio cover.

Please ensure that you find all parts in the carton in the correct type and quantity as mentioned in the illustrated content list.

Please carry out the steps in the order set out in the instructions.

Tighten all screws and parts, after completed the assembly of the polycarbonate panels.

Keep the instructions in a safe place for future reference.

SAFETY ADVICE

- We strongly recommend the product to be assembled by at least two people.
- Do not attempt to assemble the patio cover in windy or wet conditions.
- Do not position your patio cover in an area exposed to excessive wind.
- Identify any possible hazards including underground and overhead power cables and underground water pipes etc.
- Always wear gloves, safety goggles, long sleeves and shoes when assembling or performing any maintenance on your product.
- Some parts may have sharp edges. Please be careful when handling components.
- When using a stepladder or power tools, make sure you follow the manufacturer's safety advice.
- Dispose of all plastic bags safety-keep them out of reach of children.
- Keep children away from the assembly area.
- Do not attempt to assembly the patio cover if you are tired, have taken drugs or alcohol or if you are prone to dizzy spells.
- Do not climb or stand on the roof, to avoid falling down.
- Heavy snow load on roof will damage the product and making it unsafe to stand below or nearby. Please clean up the roof snow in time.




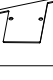



CLEANING & MAINTENANCE






- When your patio cover needs cleaning, use a mild detergent solution and rinse with clean water.
- Do not use acetone, abrasive cleaners or other special detergents to clean the panels.
- Keep roof and gutter clear of snow, dirt and leaves.
- Hot items such as recently used grills, blowtorches etc, must not be stores in the patio cover.
- Heavy articles should not be leaned against the poles.
- Do not hang or lay on the profiles.
- Put small component parts (screws etc) in a box, so they will not missing.
Some parts maybe surplus after assembly, it is recommended to keep them in a safe place for future use.


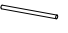




BEFORE ASSEMBLY

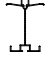
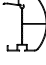


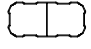
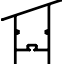


- Choose the site carefully before assembly, an unobstructed place, sheltered from strong winds is the best.
- Site surface needs to be flat and leveled.
- This patio cover should be assembled on a solid foundation (such as concrete or asphalt) and anchored to the ground.
- Make sure the wall you selected is strong enough for installation, a brick concrete structures is the best choice.
- Sort the parts and check according to the contents parts list.
- Please consult your local authorities if any permits are required prior to constructing the product.

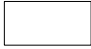
Componentry

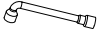
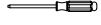

PART	#	mm	Qty.
	J03L		2
	J03R		2
	J04		2
	J06-1		4
	J07		2
	Q01	M6*10	200
	P01	Ø8*80	24

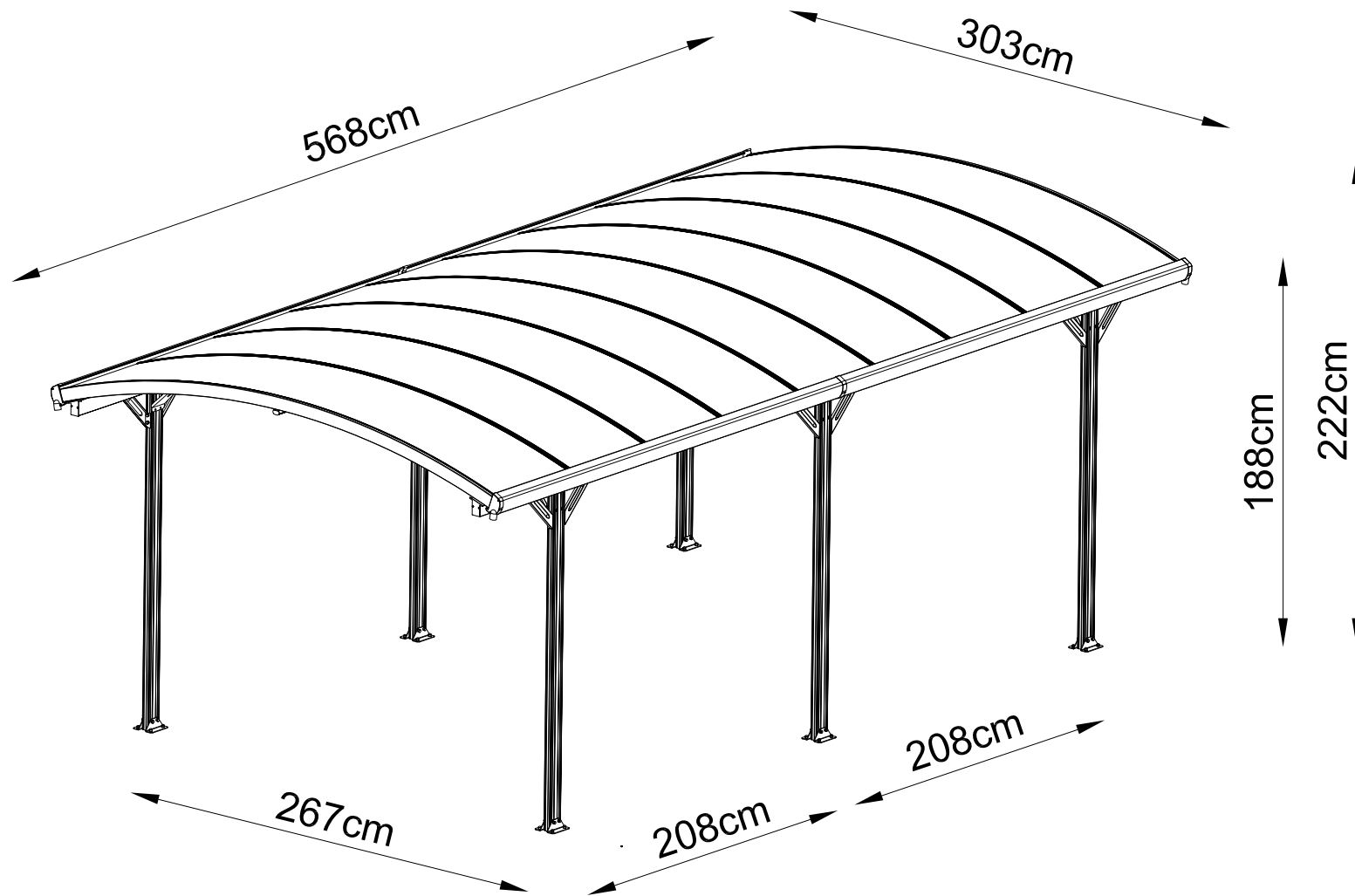
PART	#	mm	Qty.
	S01	M6*12	178
	M01	M6	110
	Z01	Ø4*6	8
	Z02	Ø4*16	20
	Z03	Ø4*8	12
	N01	Ø6*Ø12*1	37

PART	#	mm	Qty.
	W02		12
	W03	Ø3.5*100	4
	W05	200*20*5	3
	W07	100*20*5	2
	W15	316*57*35	12
	W16B	392*104*33	4

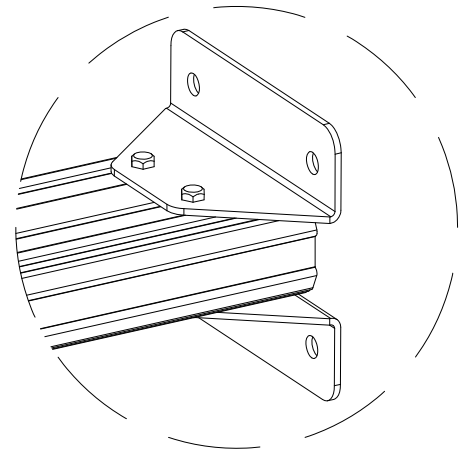
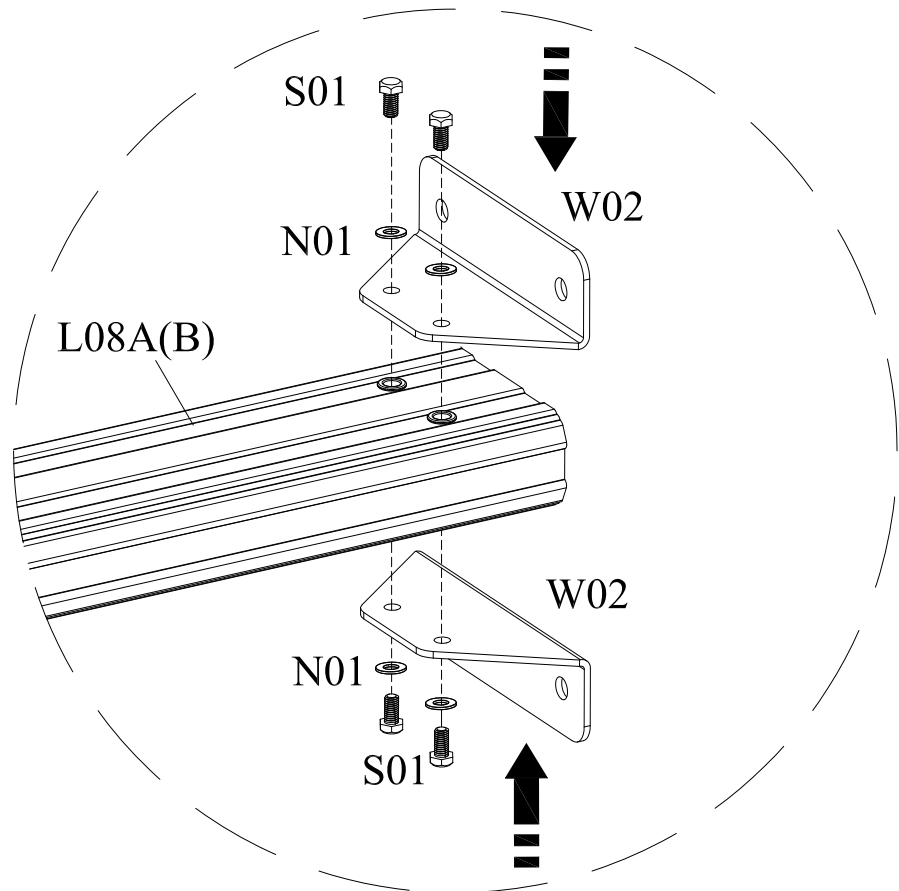
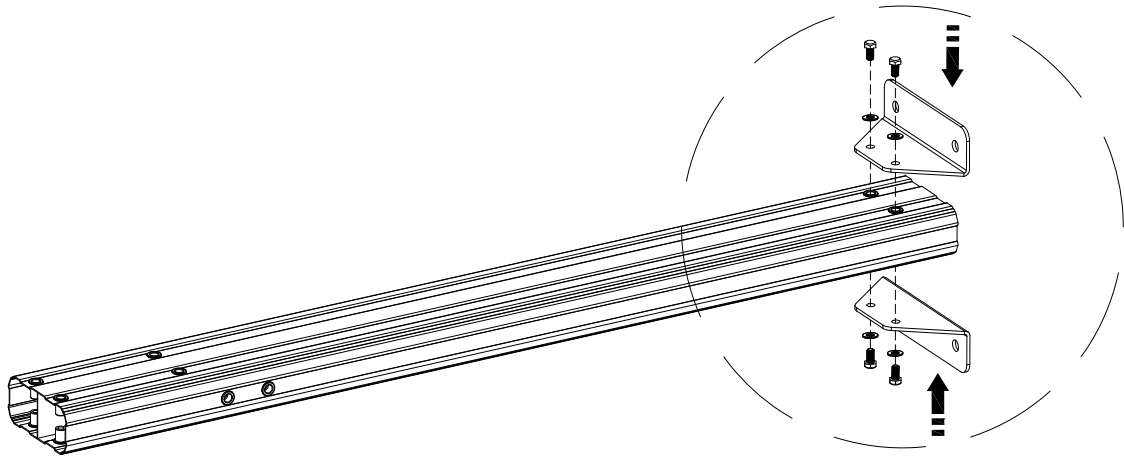
PART	#	mm	Qty.
	L01	2932	8
	L02	2932	2
	L06L	2837	2
	L06R	2837	2
	L07L	2819	2
	L07R	2819	2
	L08A	1873	6
	L10L	2837	2
	L10R	2837	2
	L13A	2819	2
	L13B	100	2
	L14	2819	2

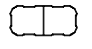

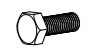

PART	#	mm	Qty.
	Y	3000*612	9

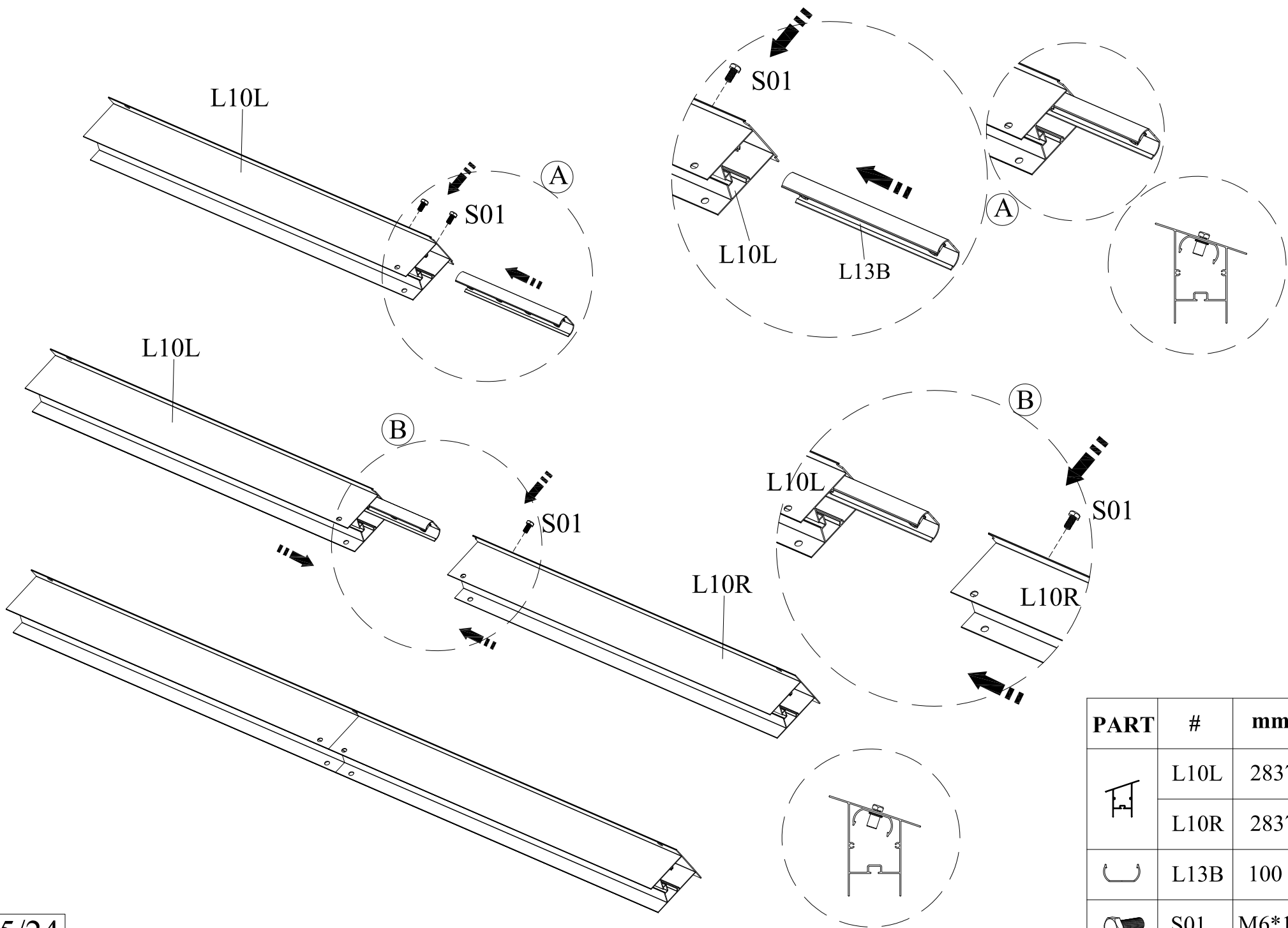
TOOL			
	T01		1
	T02		1
	T03		1



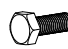


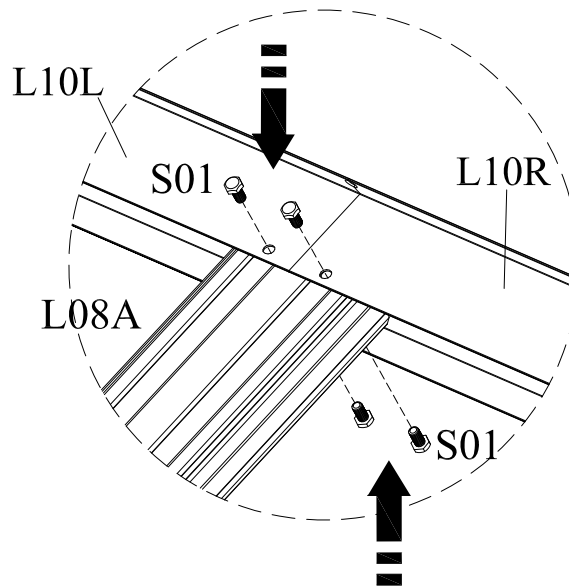
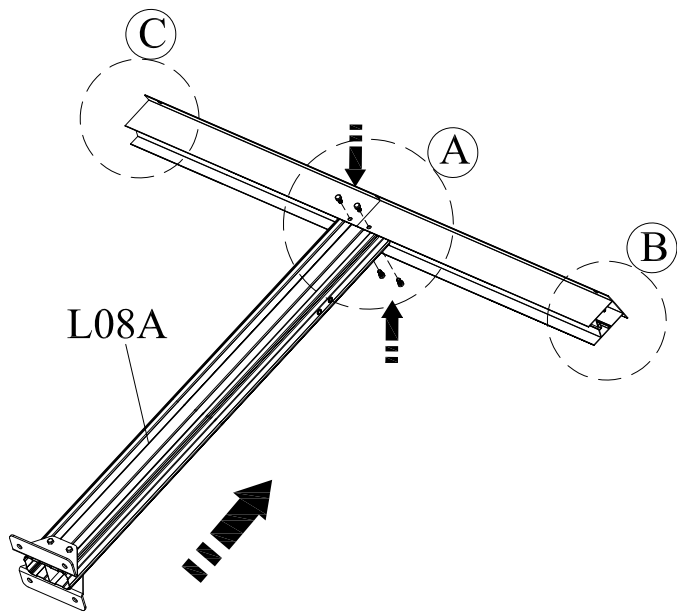
Make sure there is enough space to assemble the carport.



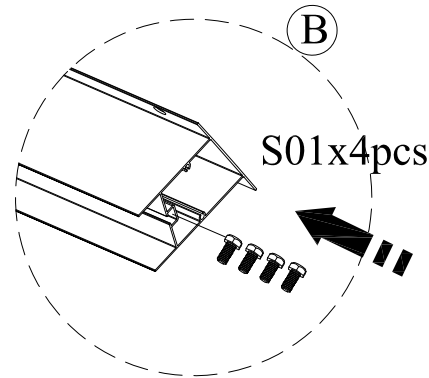
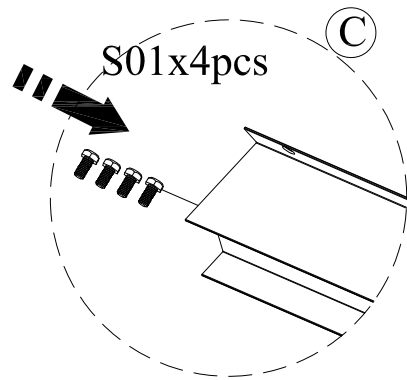
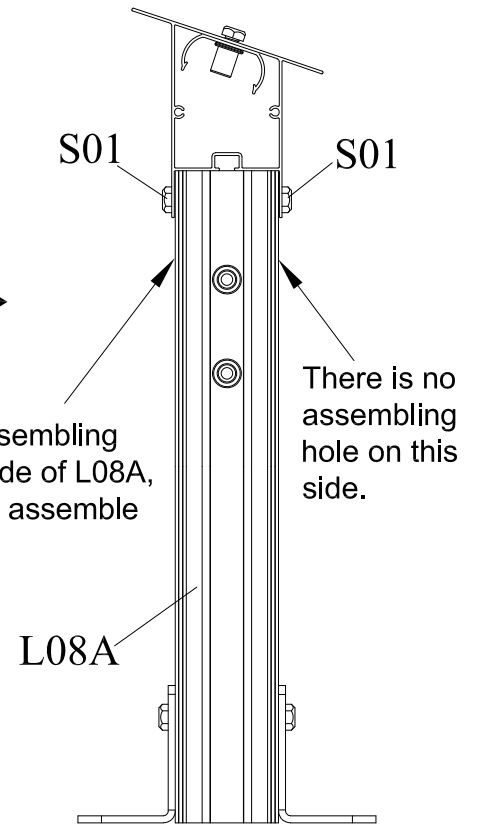
PART	#	mm	Qty.
	L08A	1873	6
	W02		12
	S01	M6*12	24
	N01	Ø6*Ø12*1	24

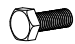


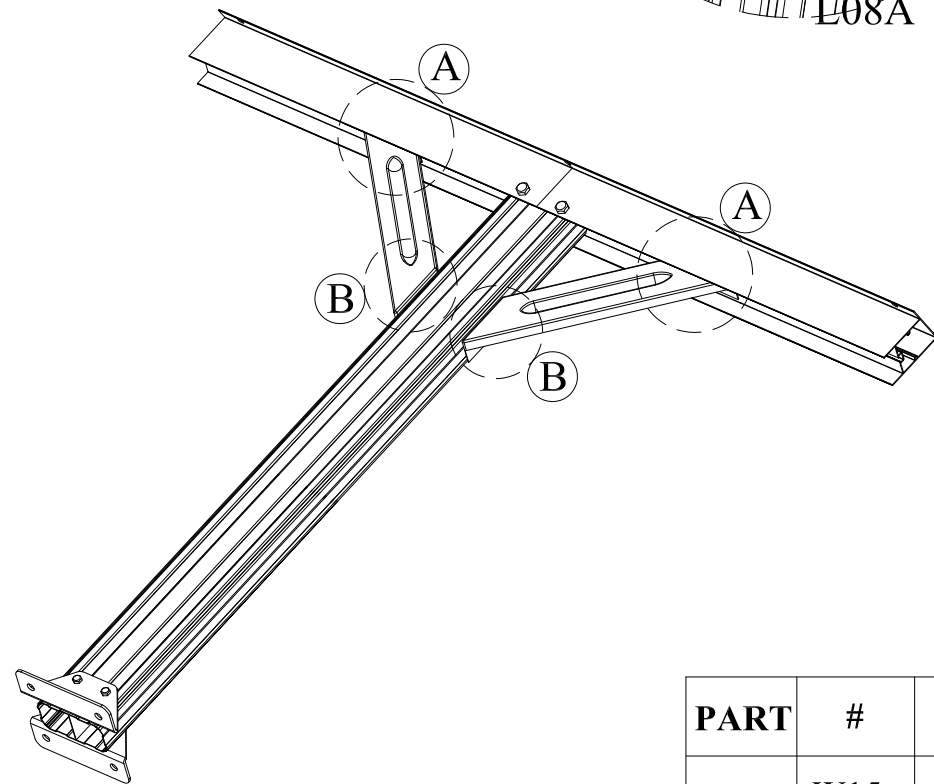
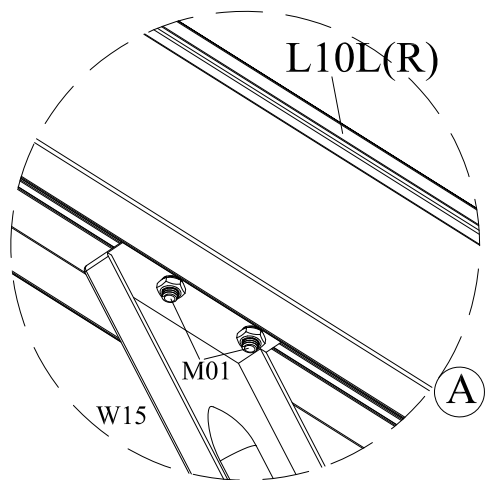
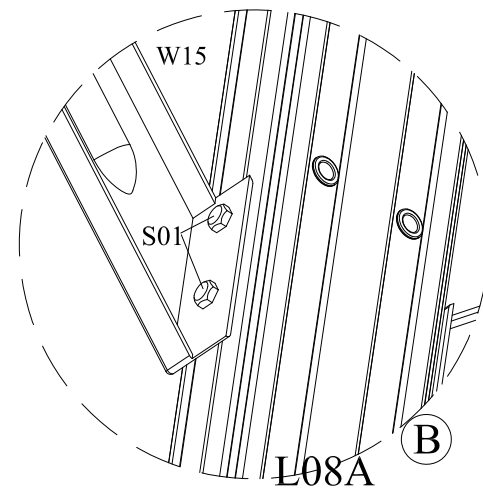
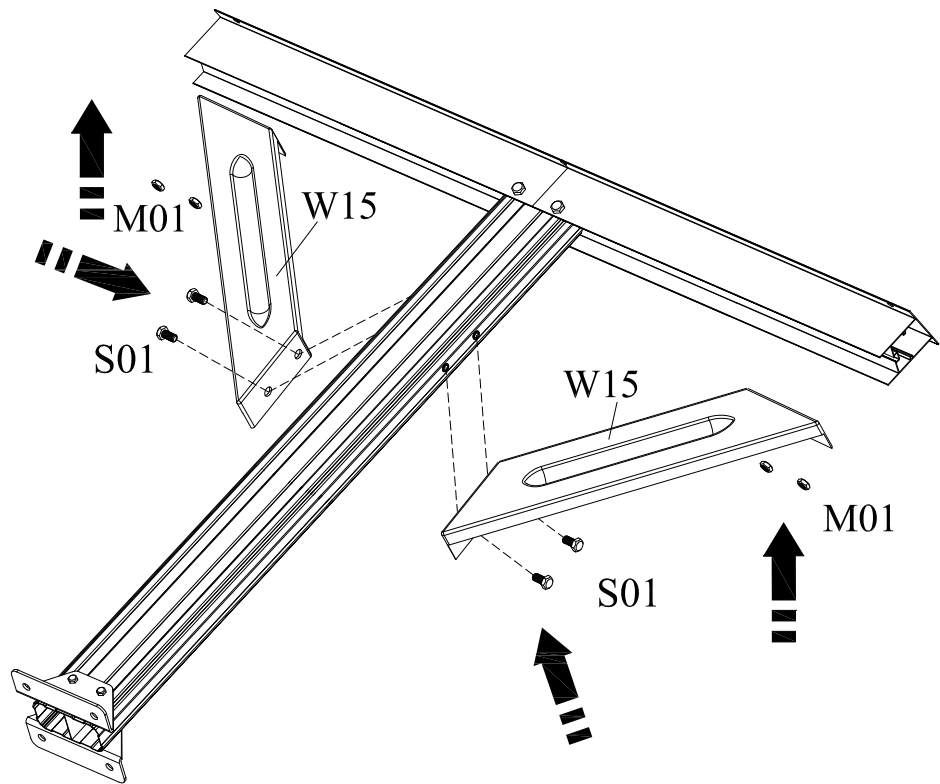
PART	#	mm	Qty.
	L10L	2837	2
	L10R	2837	2
	L13B	100	2
	S01	M6*12	4

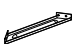
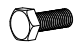



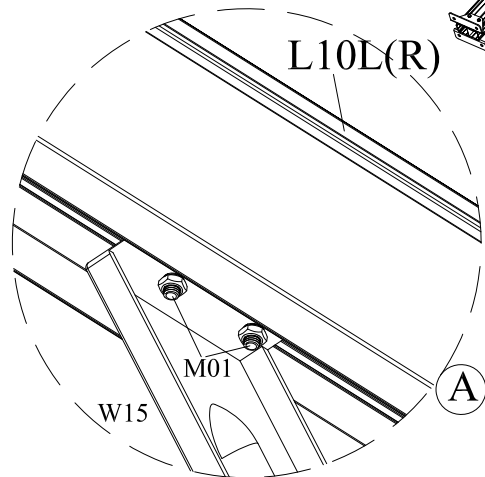
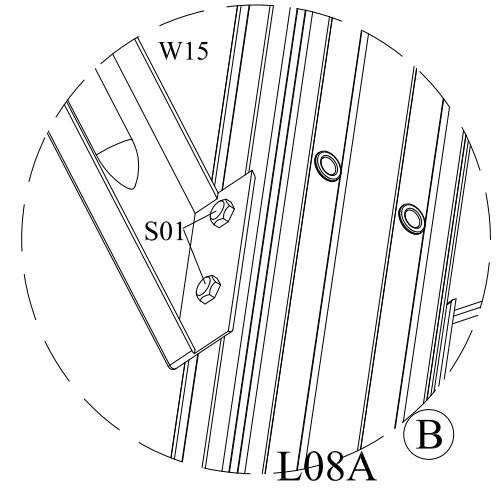
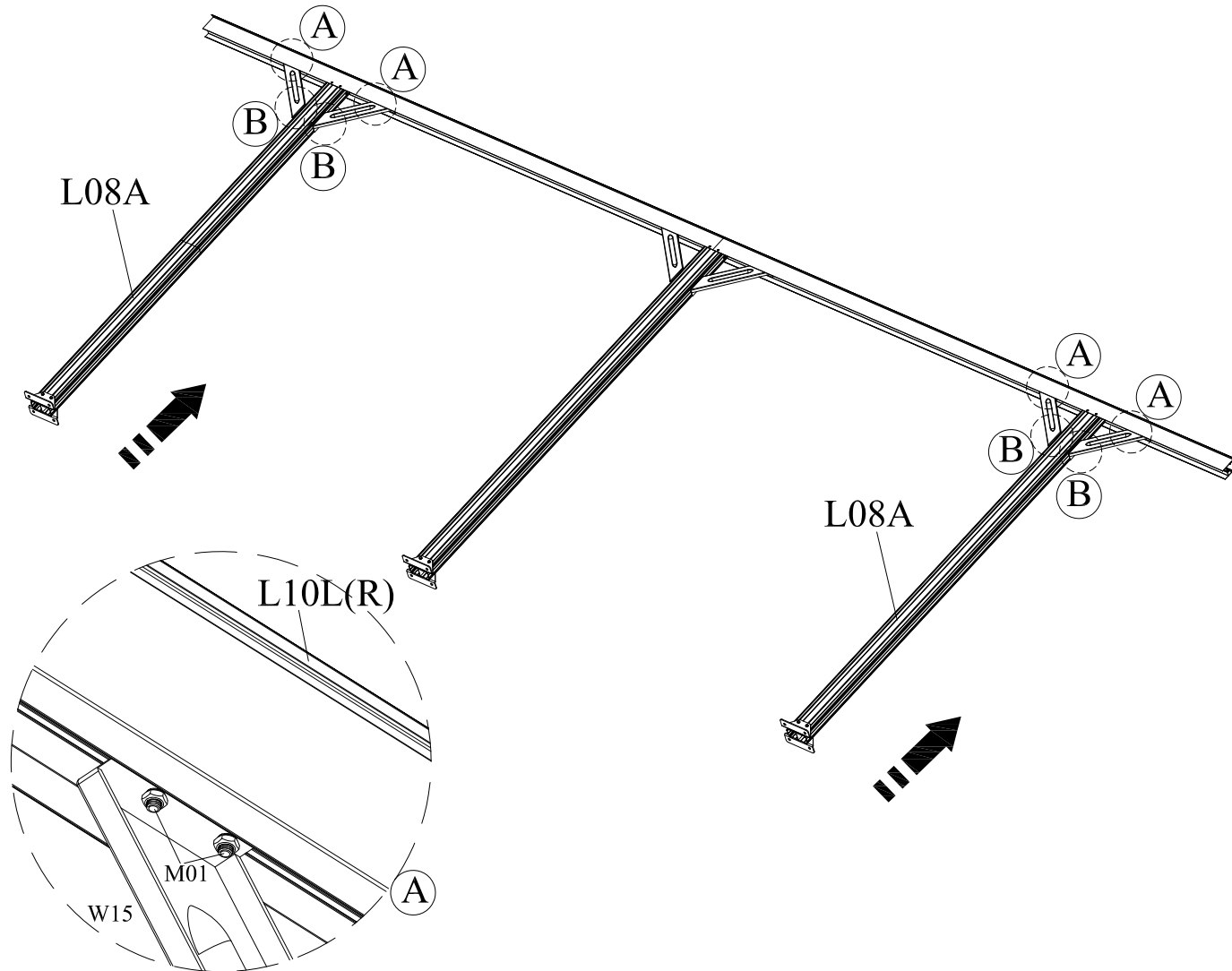
There are 2 assembling holes on this side of L08A, see page 21 to assemble W16B.

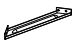
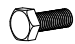



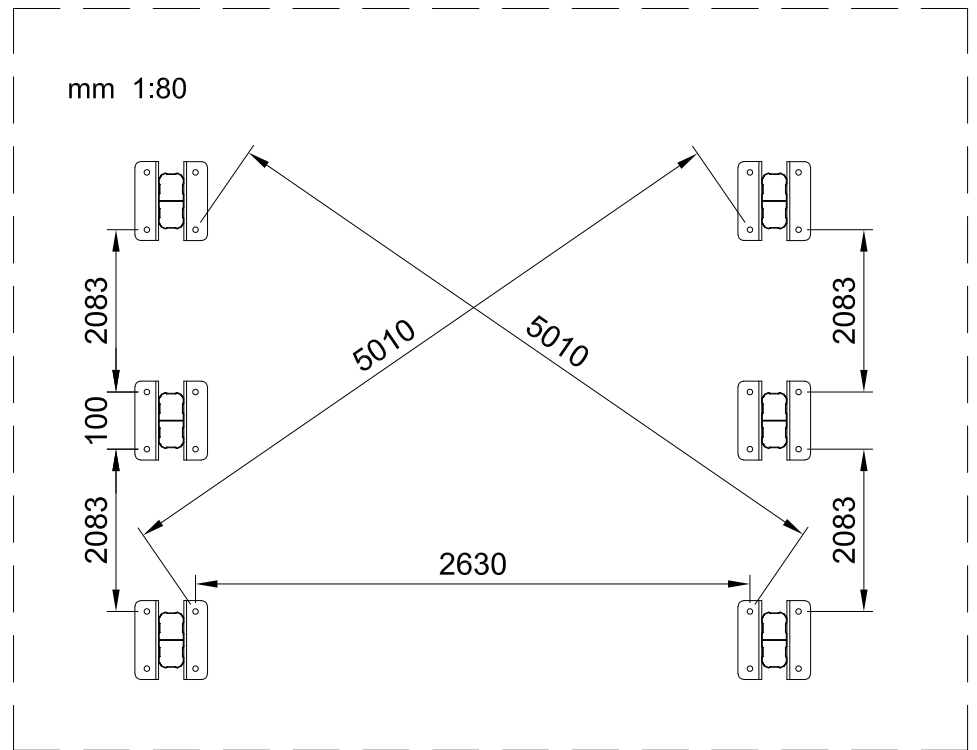
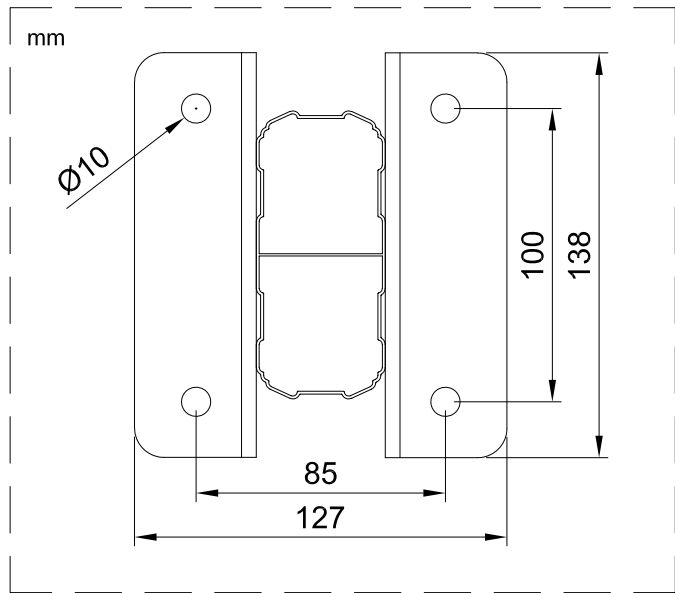
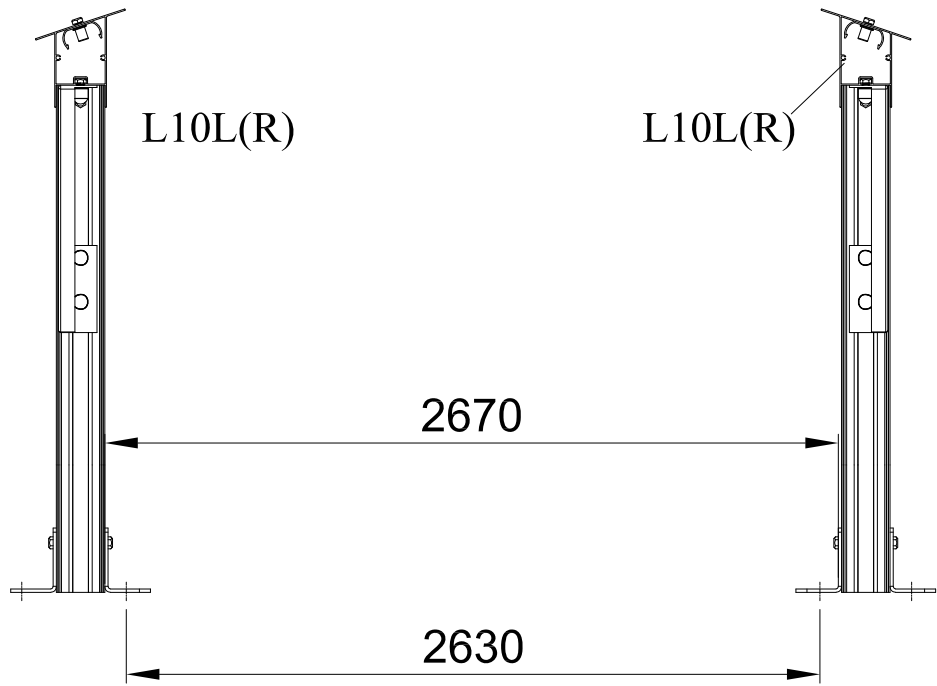
PART	#	mm	Qty.
	S01	M6*12	24

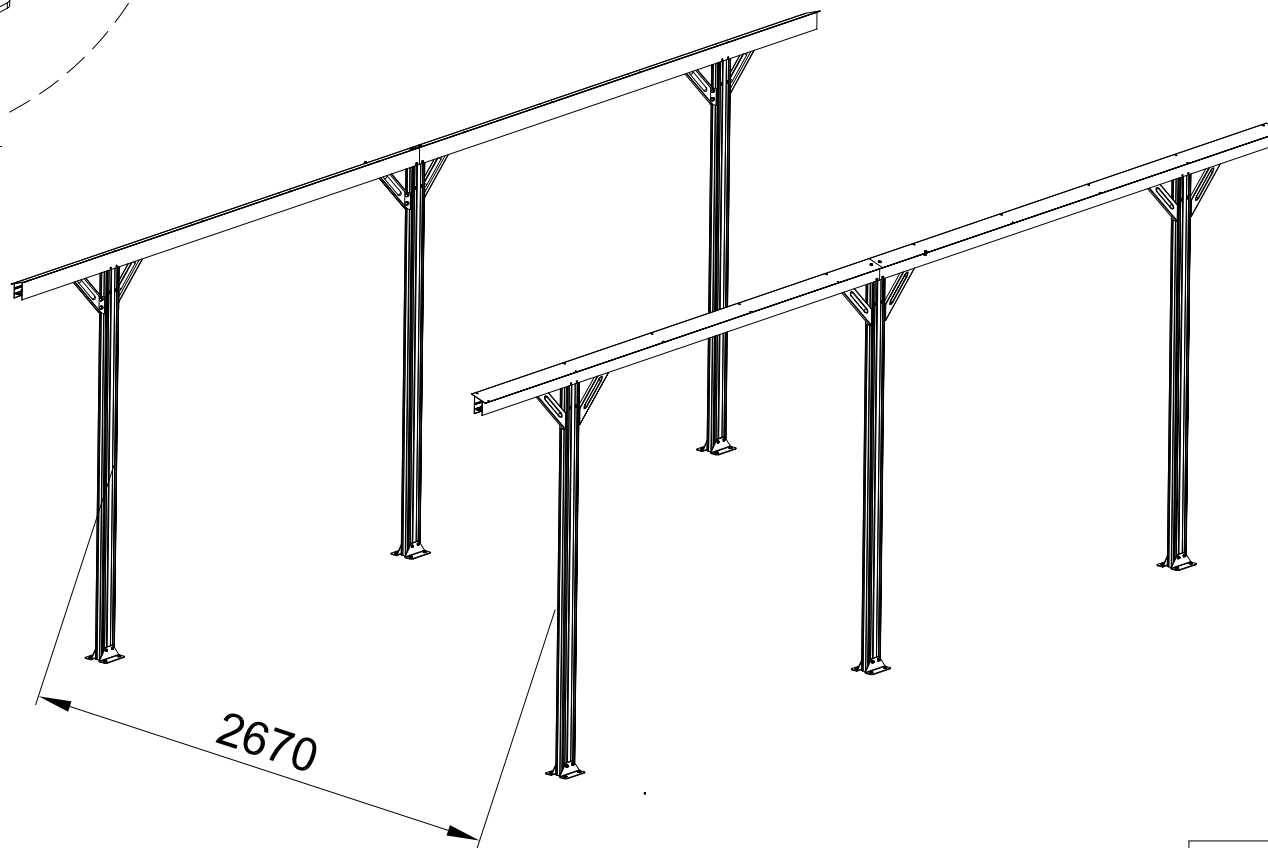
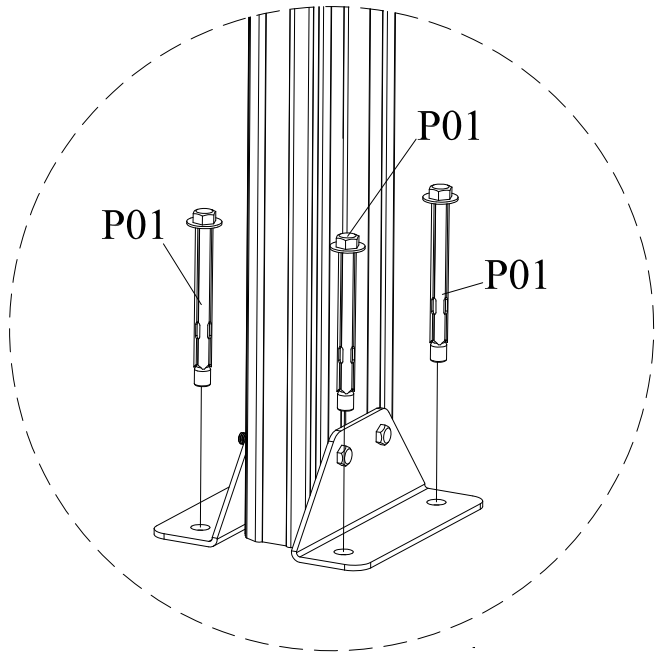



PART	#	mm	Qty.
	W15	316*57*35	4
	S01	M6*12	8
	M01	M6	8

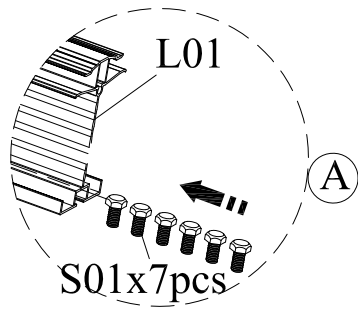


PART	#	mm	Qty.
	W15	316*57*35	8
	S01	M6*12	16
	M01	M6	16

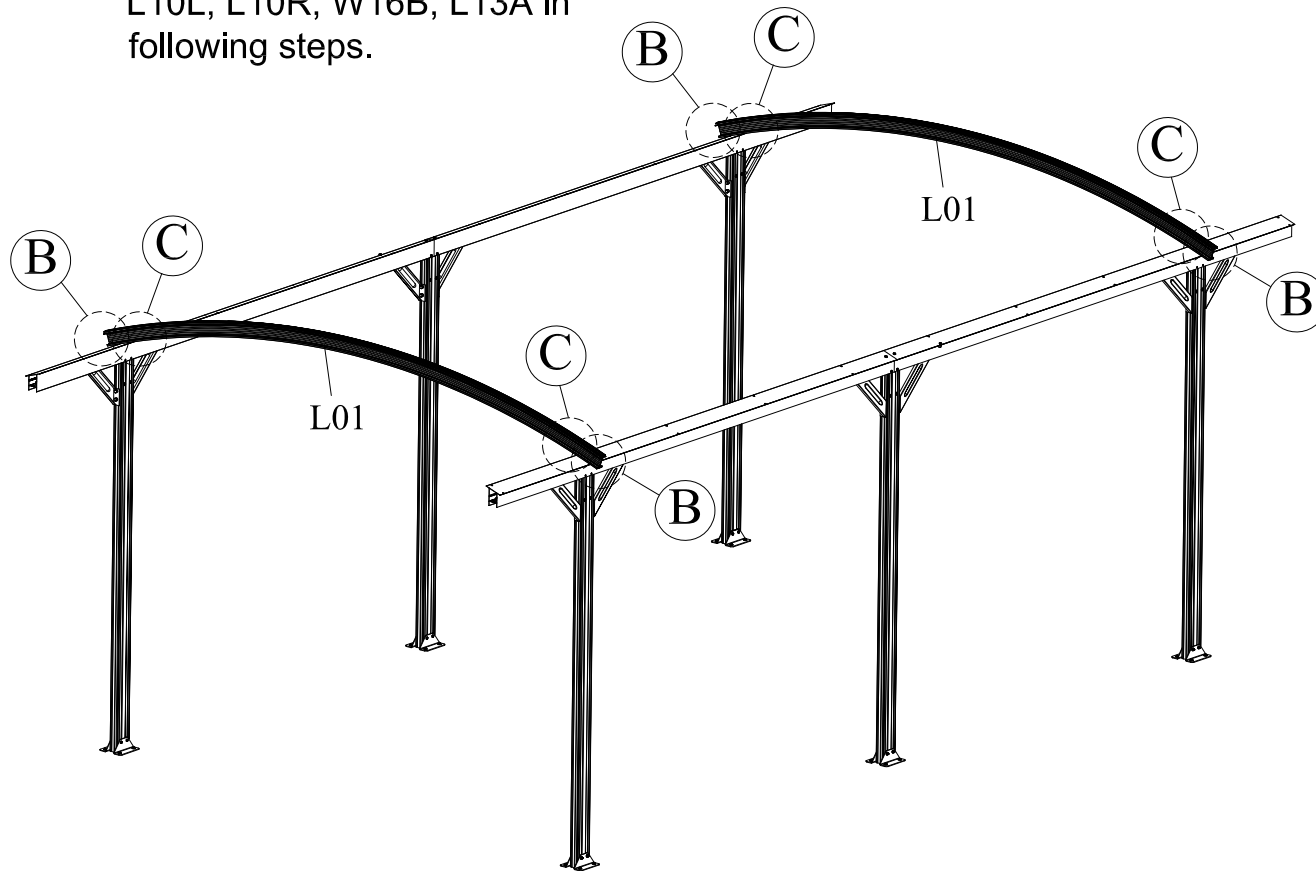
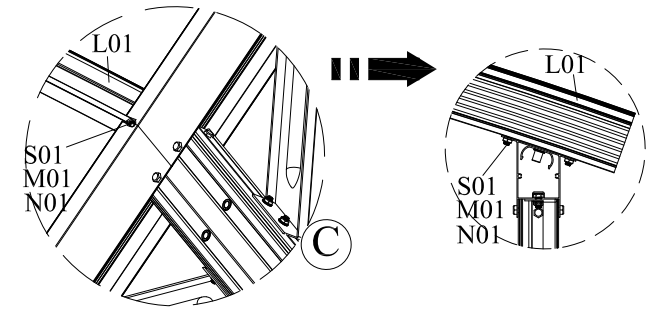
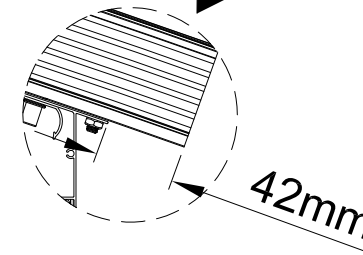
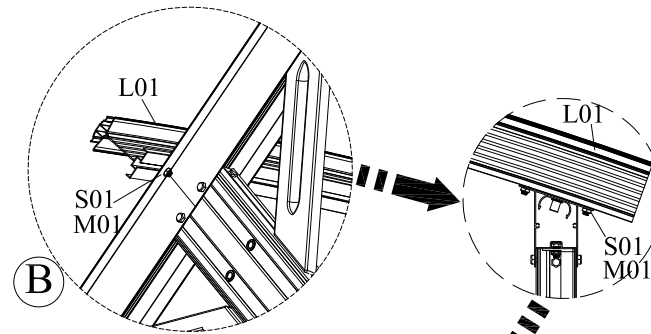




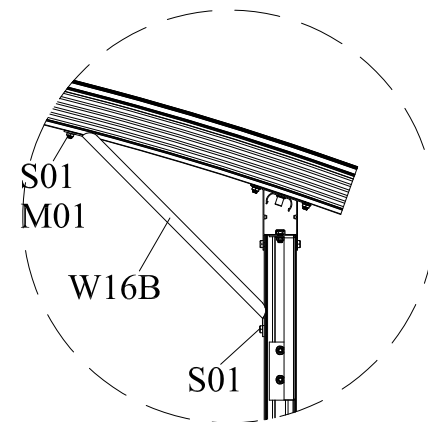
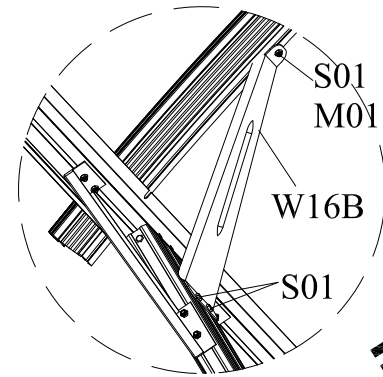
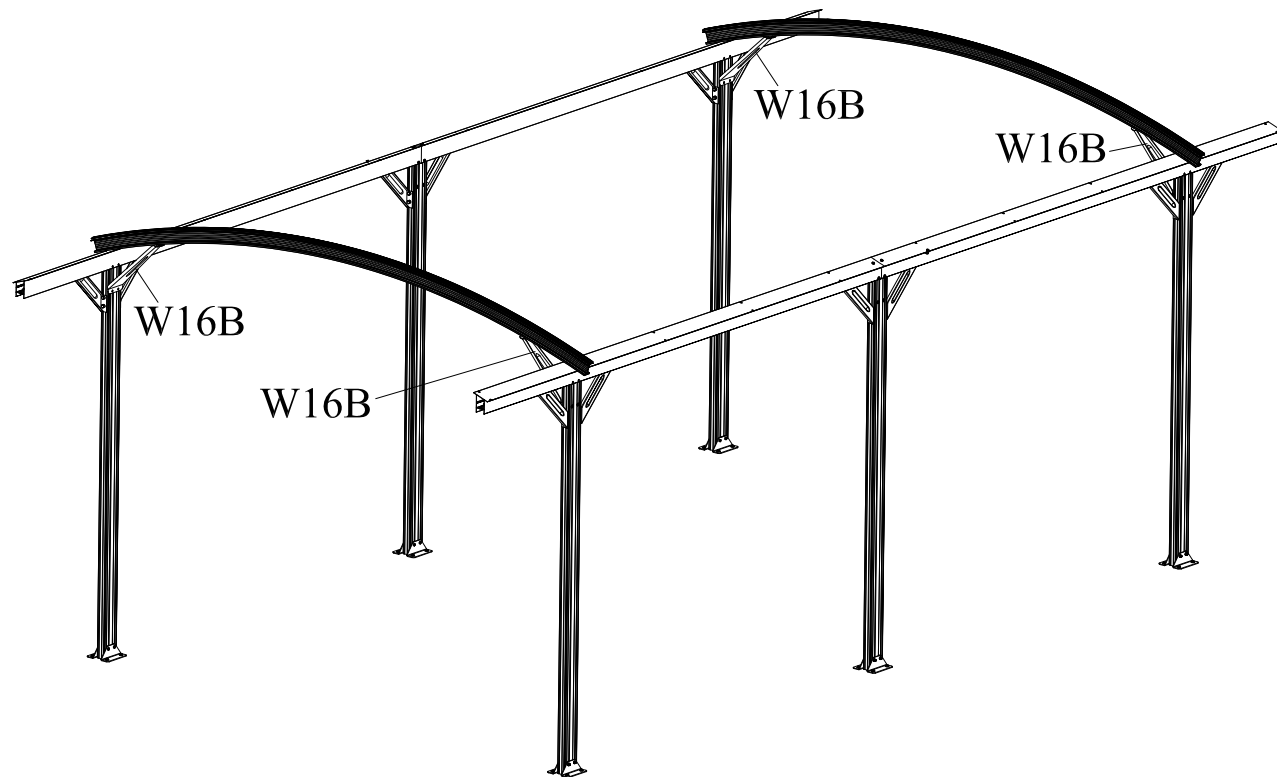
PART	#	mm	Qty.
	P01	Ø8*80	24






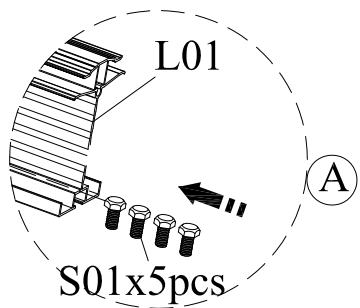
Pre-sliding bolt S01 x 7
before assembling L01, they
will be used for assemble
L10L, L10R, W16B, L13A in
following steps.



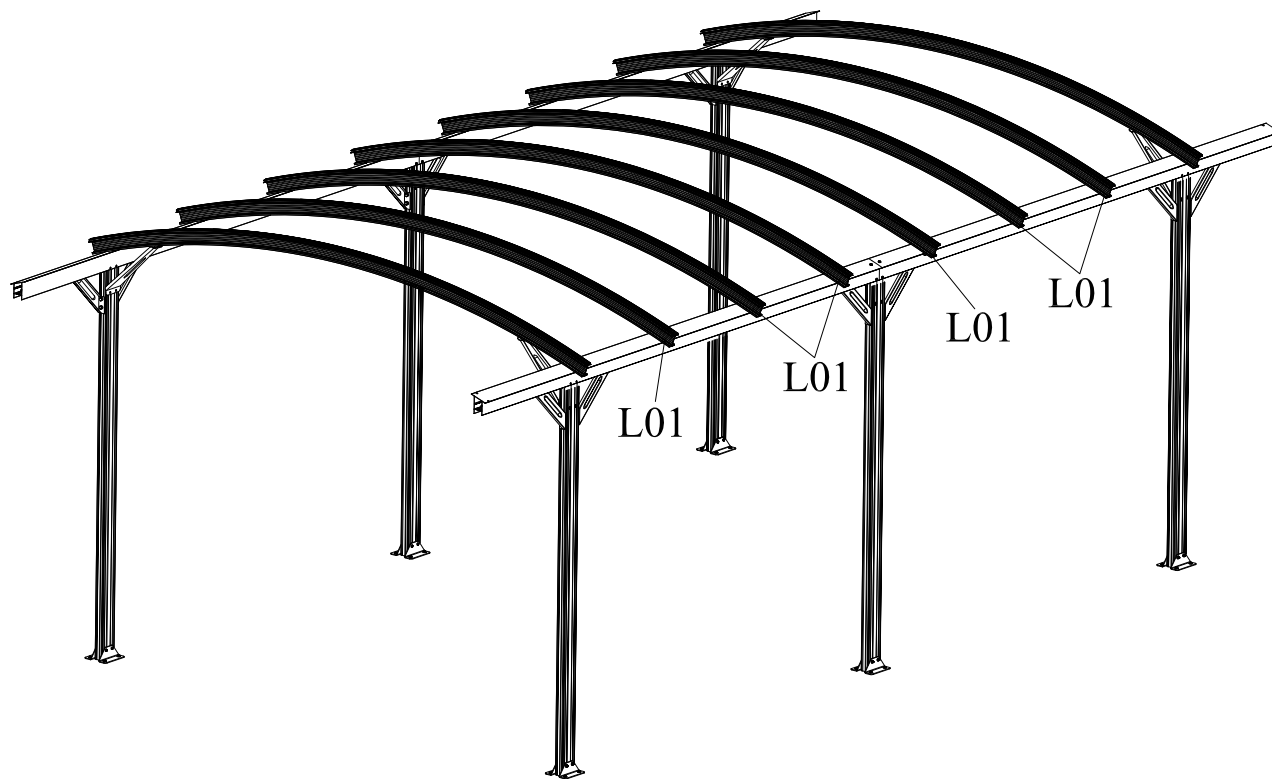
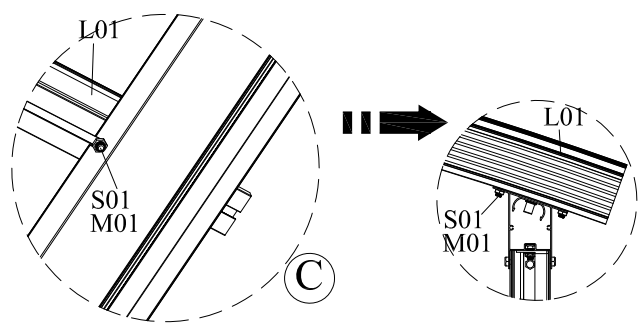
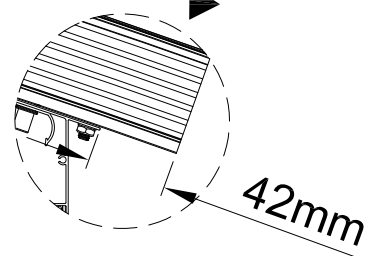
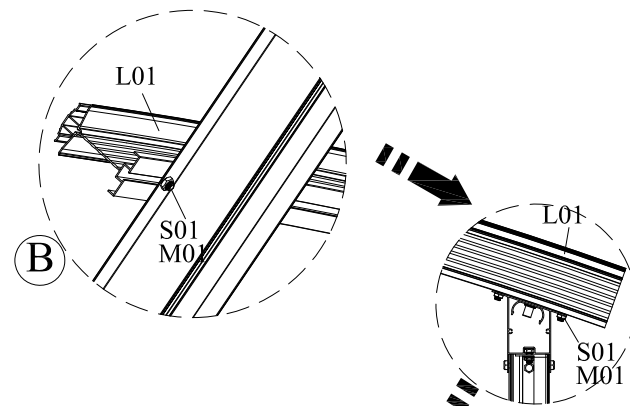
PART	#	mm	Qty.
	L01	2932	2
	S01	M6*12	14
	M01	M6	8






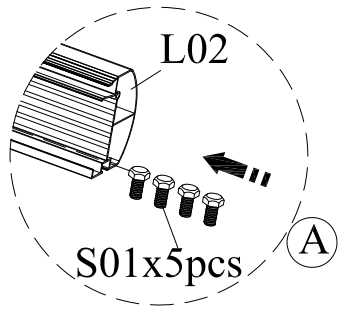
PART	#	mm	Qty.
	W16B	392*104*33	4
	S01	M6*12	8
	M01	M6	4



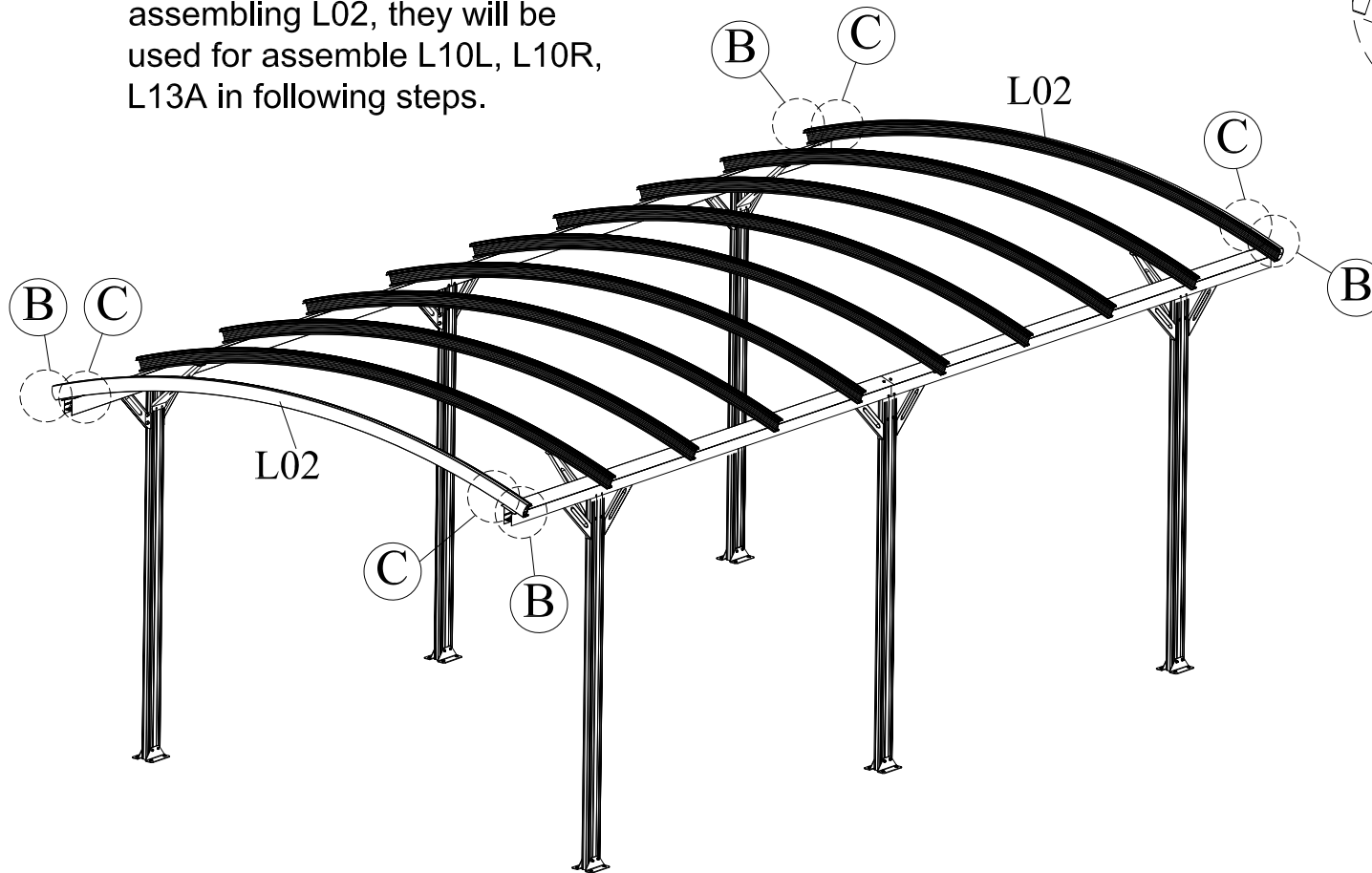
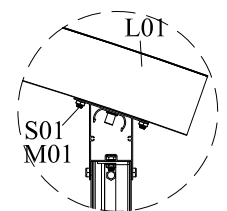
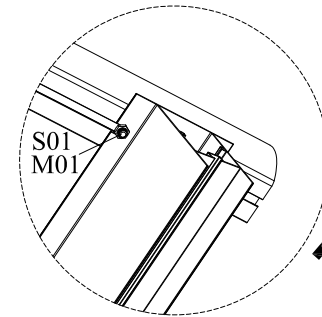
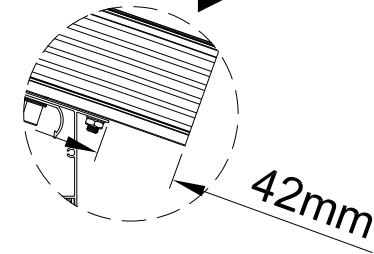
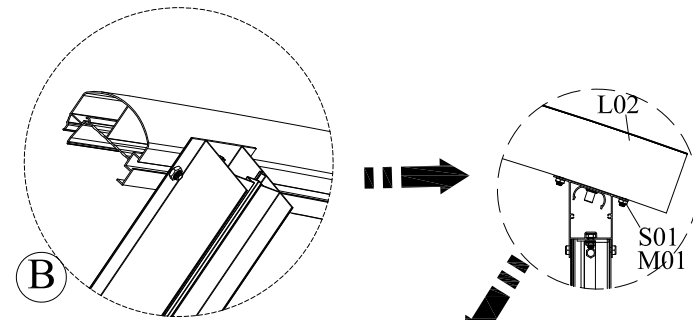
Pre-sliding bolt S01 x 5 before assembling L01, they will be used for assemble L10L, L10R, L13A in following steps.






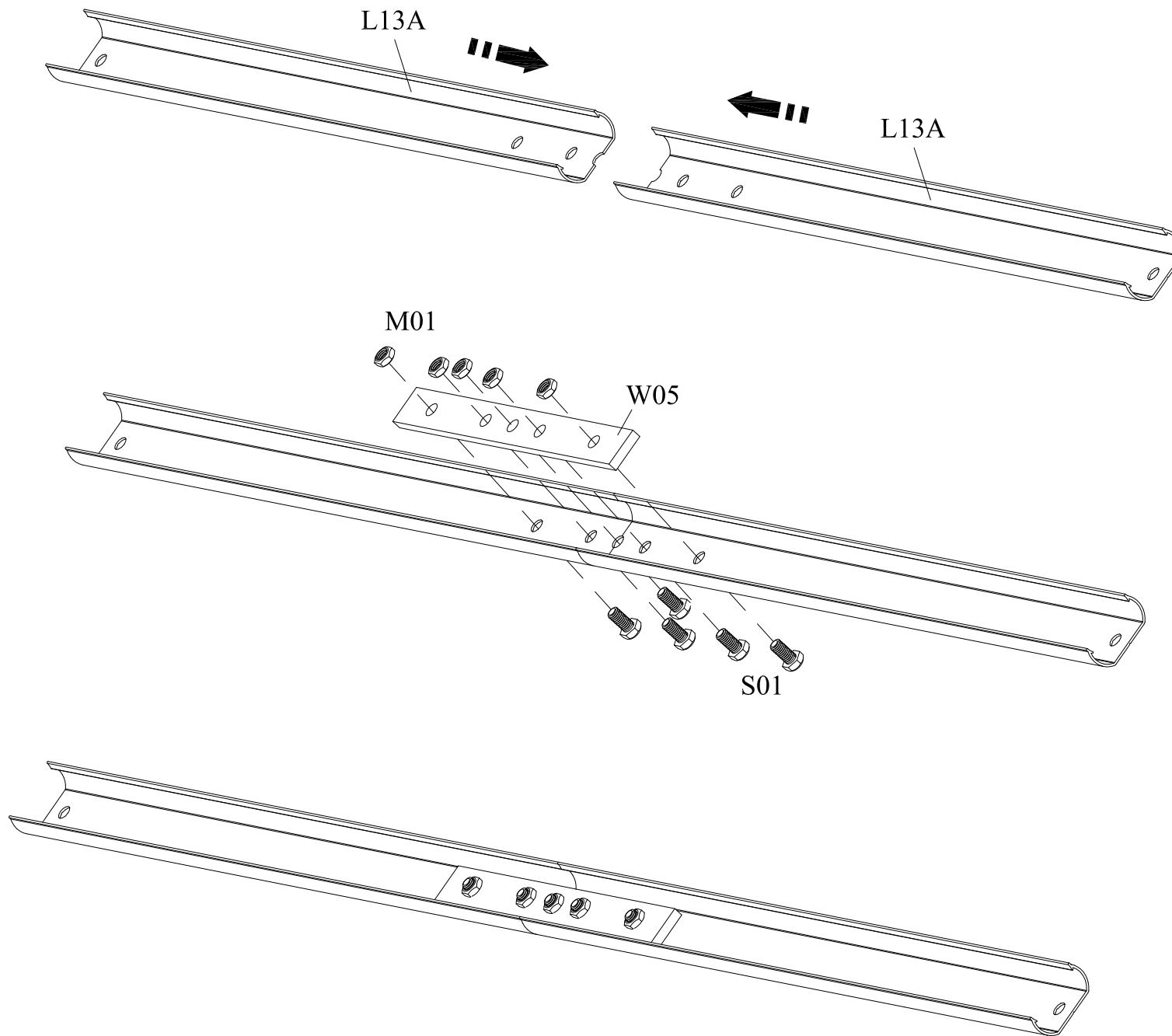
PART	#	mm	Qty.
	L01	2932	6
	S01	M6*12	30
	M01	M6	24



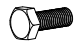



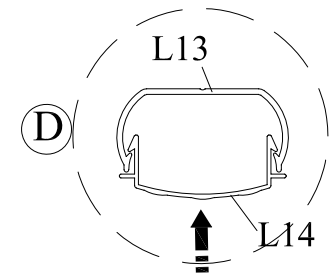
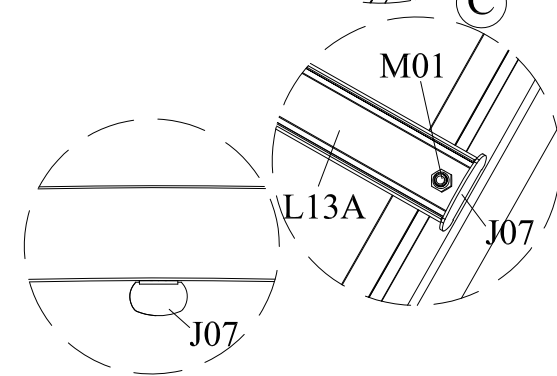
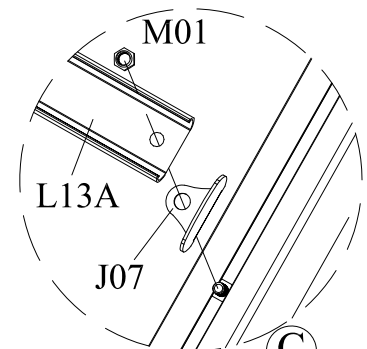
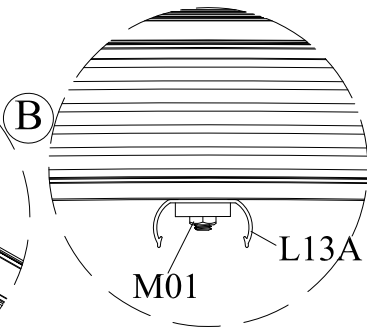
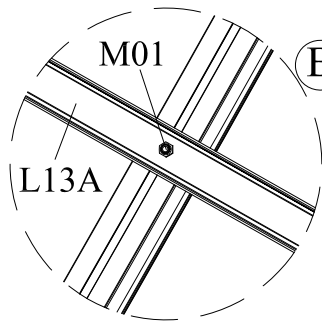
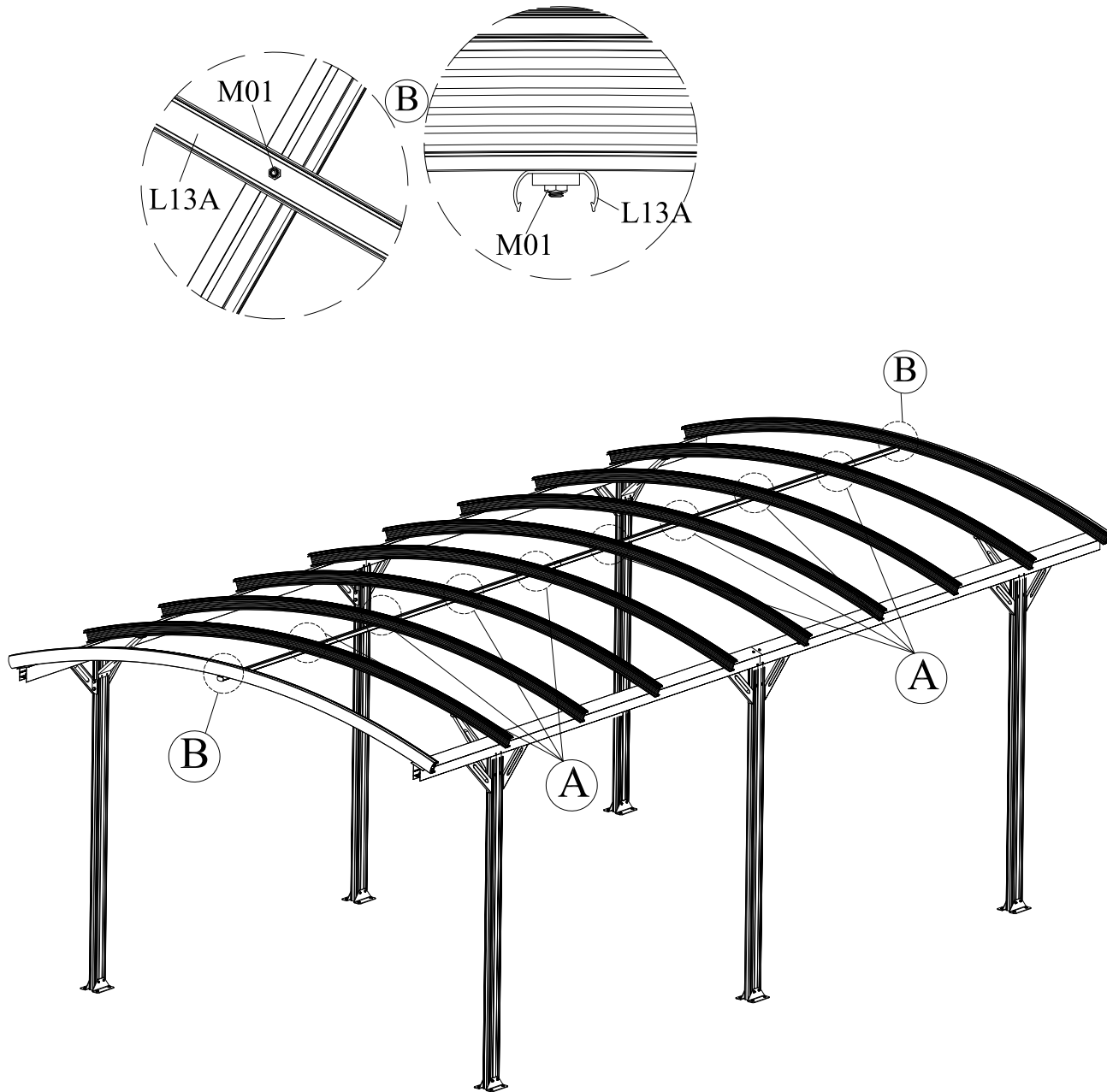
Pre-sliding bolt S01 x 5 before assembling L02, they will be used for assemble L10L, L10R, L13A in following steps.






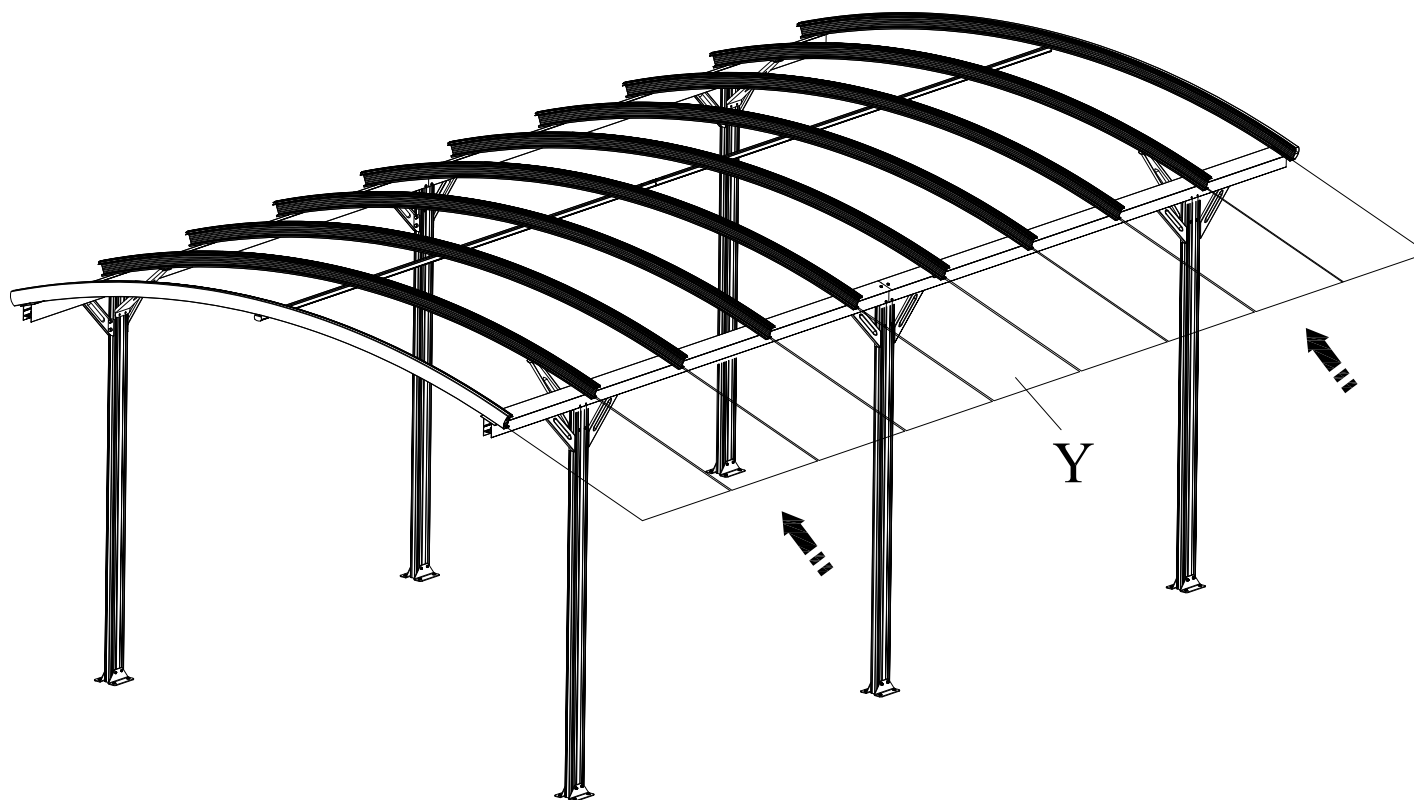
PART	#	mm	Qty.
	L02	2932	2
	S01	M6*12	10
	M01	M6	8



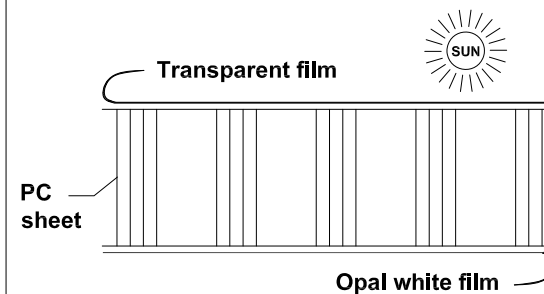
PART	#	mm	Qty.
	L13A	2819	2
	W05	200*20*5	1
	S01	M6*12	5
	M01	M6	5



PART	#	mm	Qty.
	L14	2819	2
	J07		2
	M01	M6	8

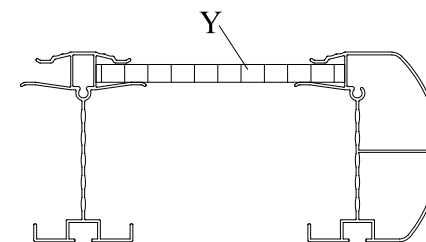


POLYCARBONATE PANEL

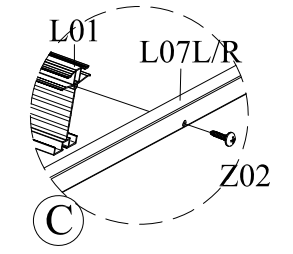
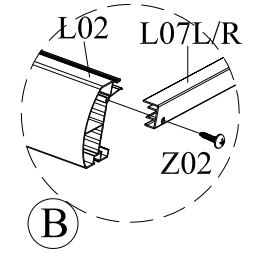
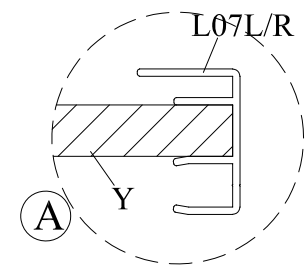
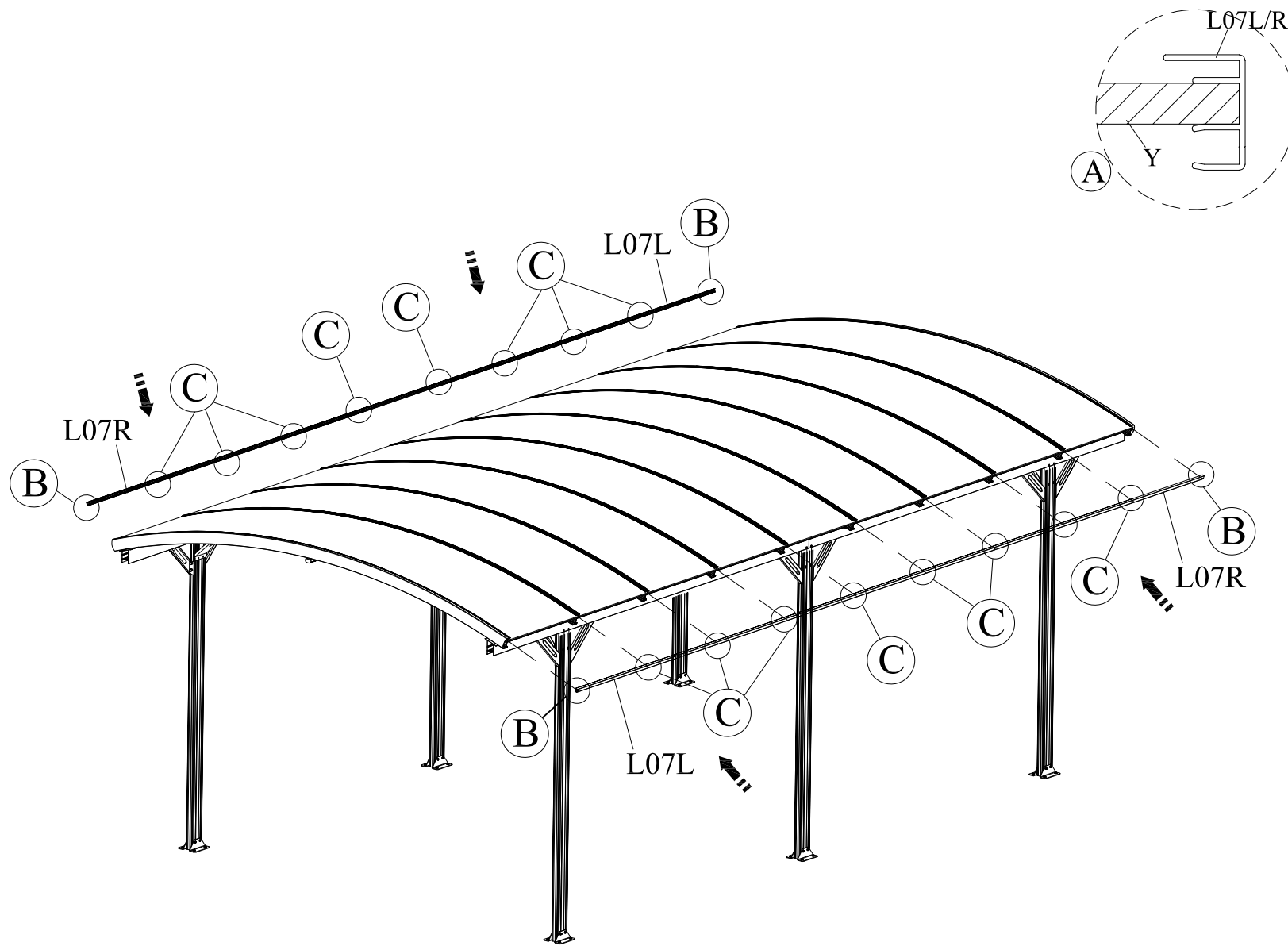



Two sides of PC sheet are covered with thin film, one side's film is transparent, another side's film is opal white. The UV-protected side of PC sheet is covered with transparent film and must face towards the sun.

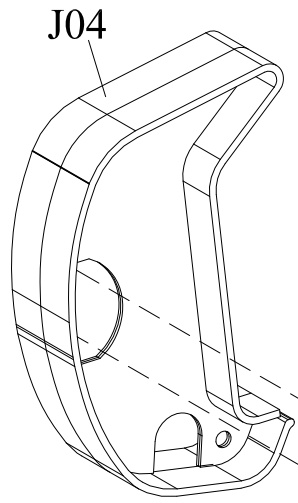
Enlever les films protecteurs des plaques polycarbonate avant de les positionner.



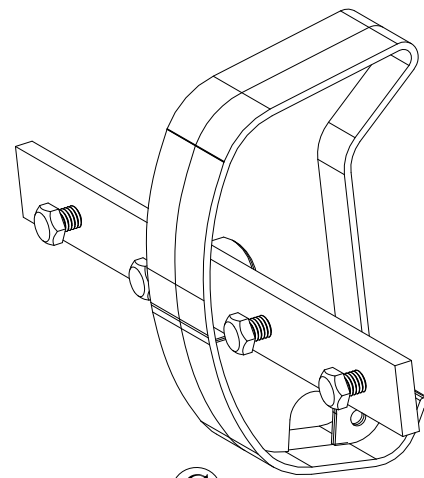
PART	#	mm	Qty.
	Y	3000*612	9



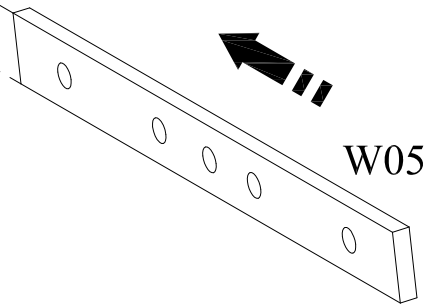
PART	#	mm	Qty.
E	L07L	2819	2
	L07R	2819	2
	Z02	Ø4*16	20



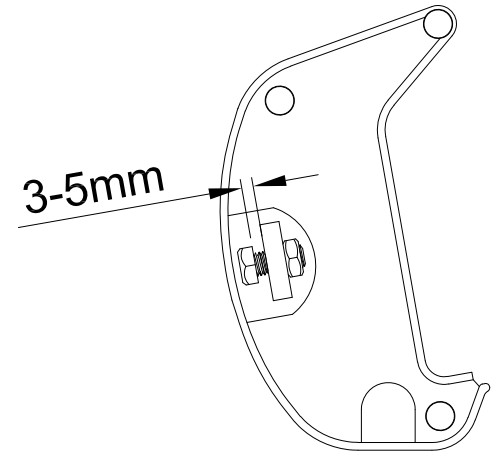
(A)



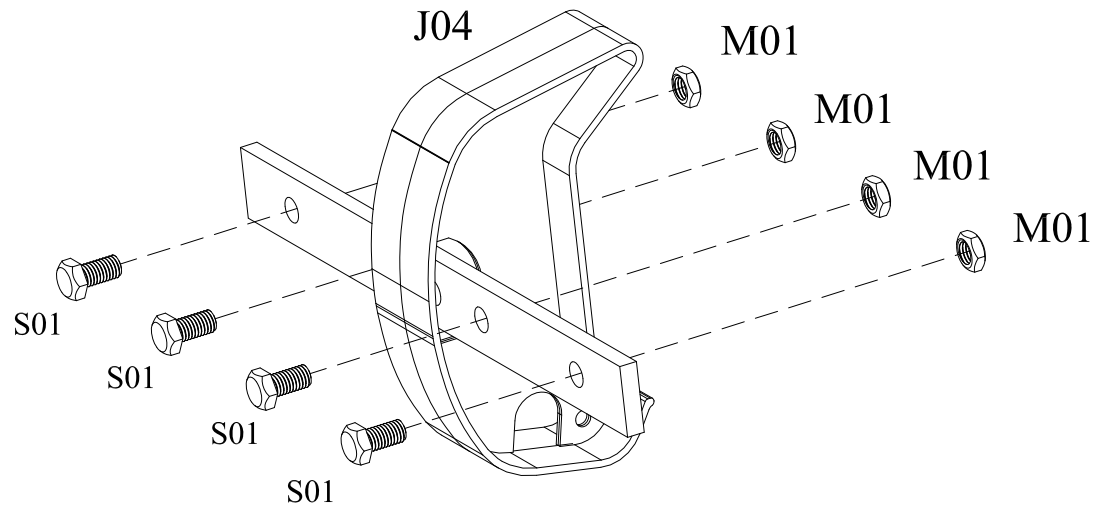
(C)





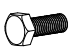

W05

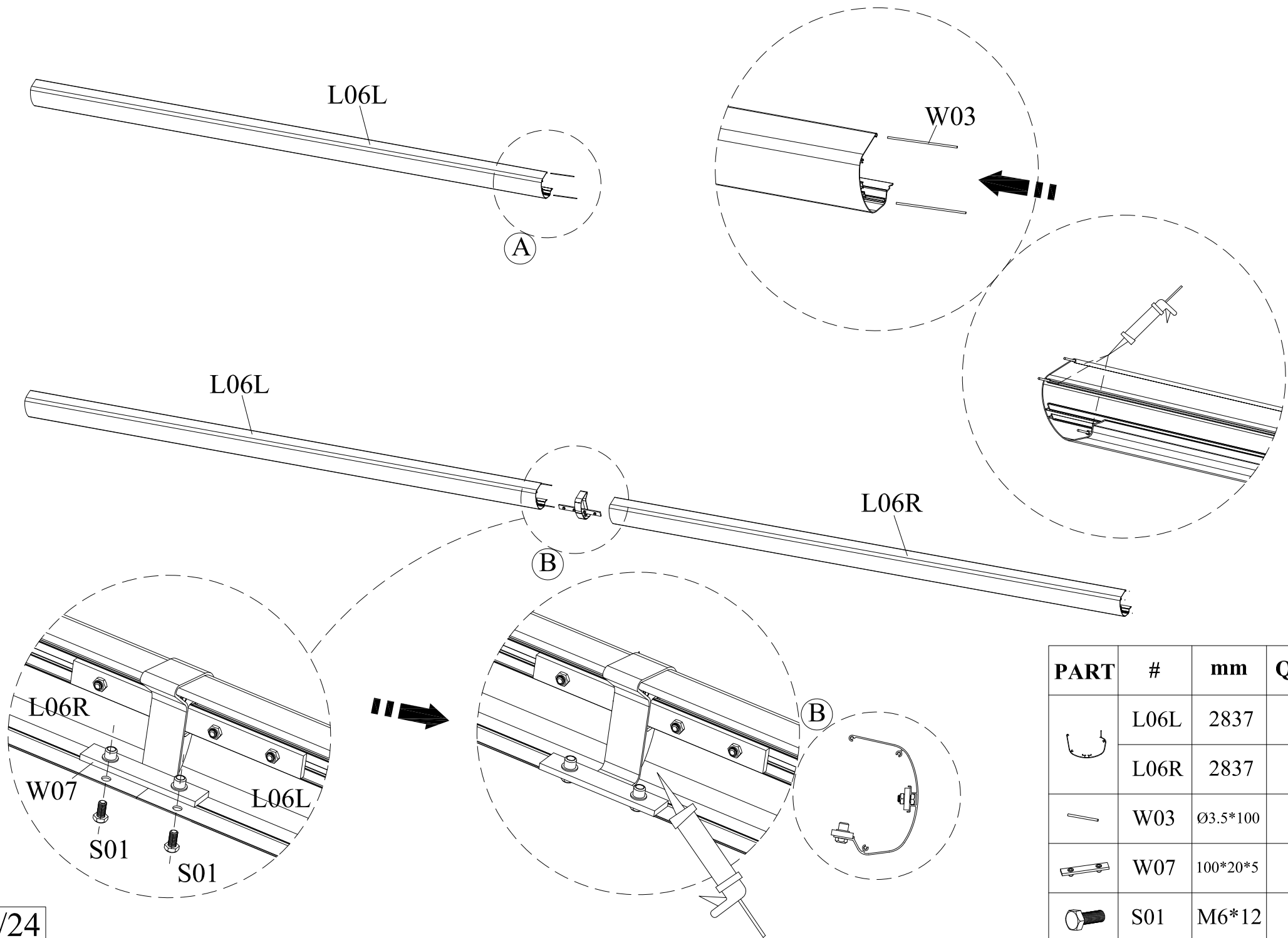


(D)

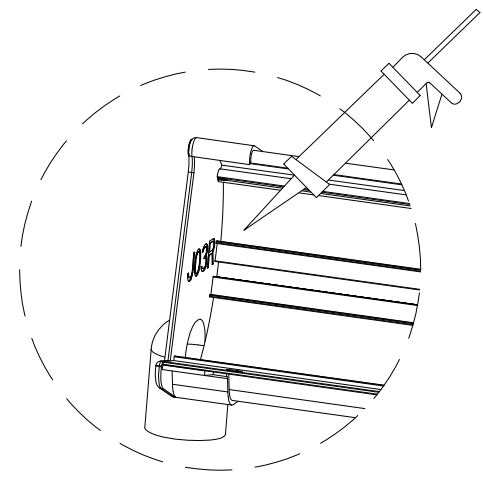
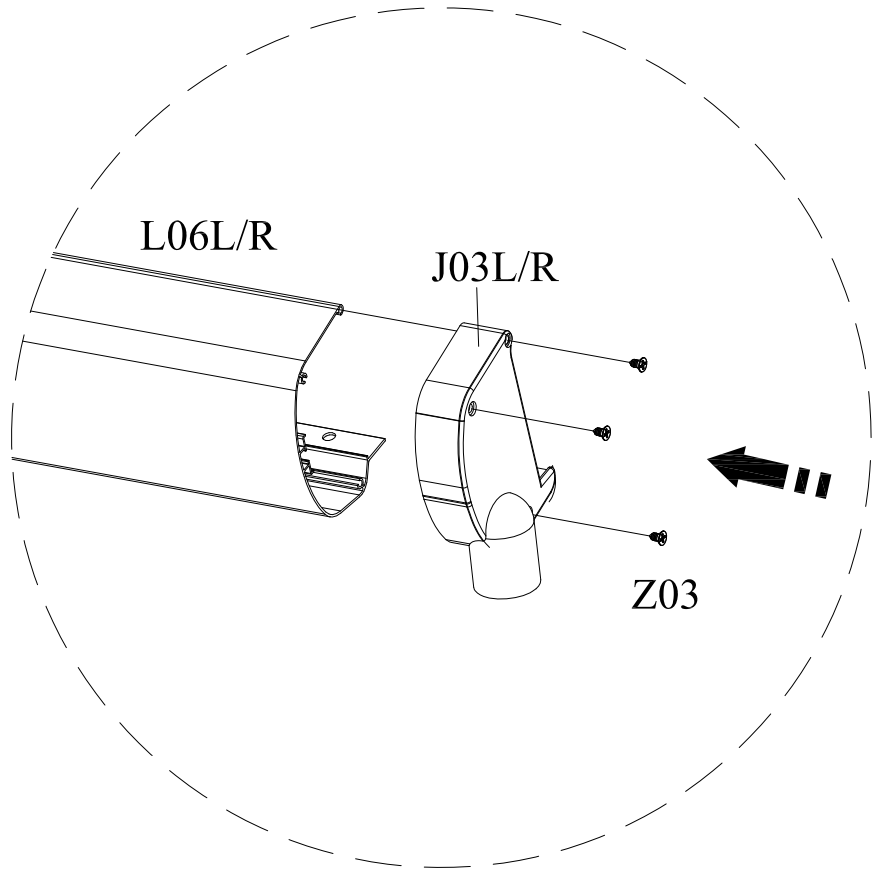
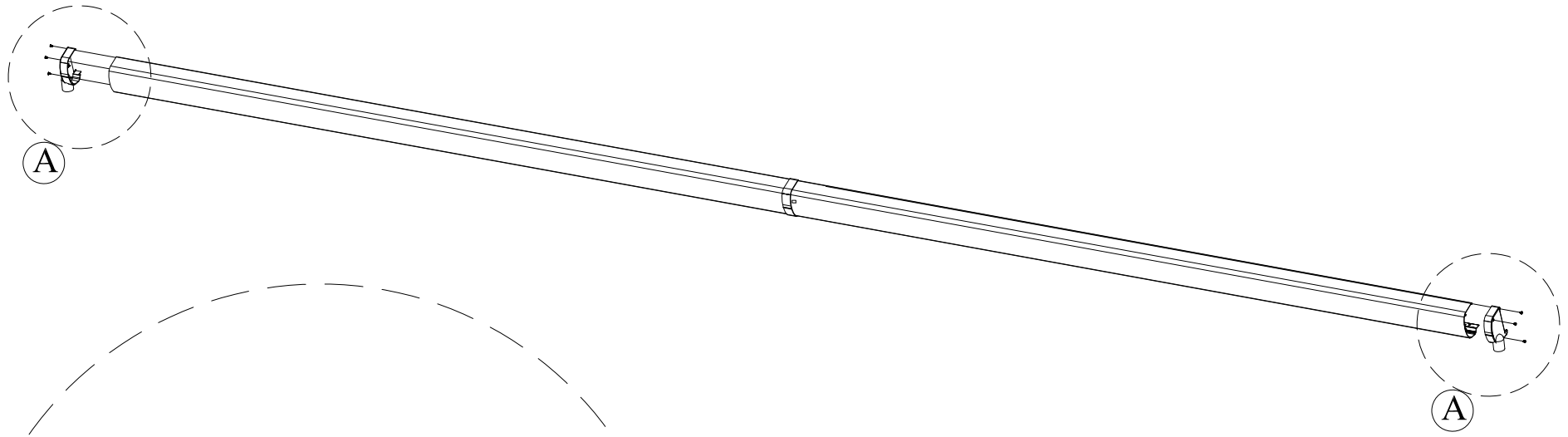





(B)

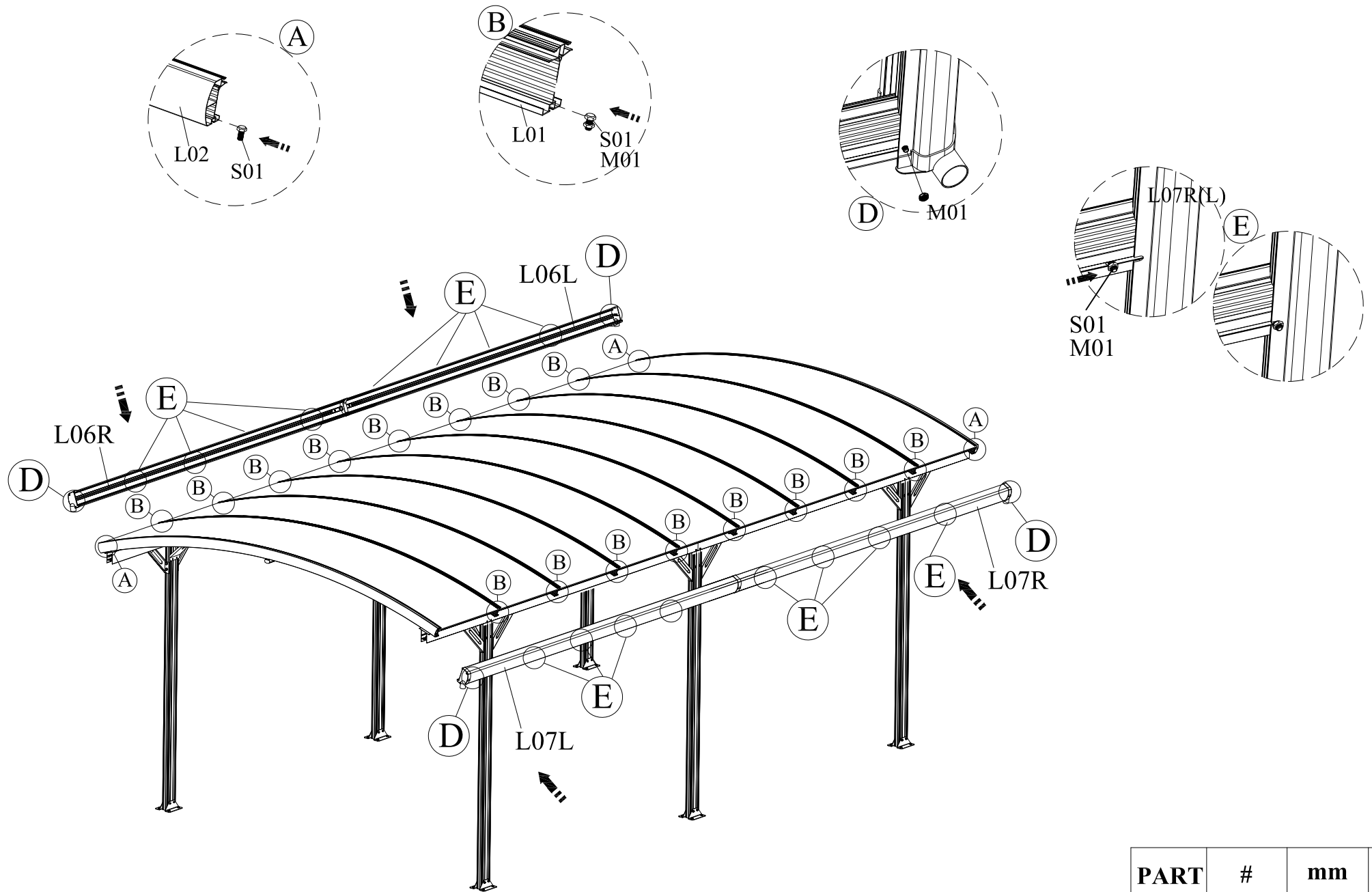
PART	#	mm	Qty.
	J04		2
	W05	200*20*5	2
	S01	M6*12	8
	M01	M6	8

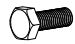



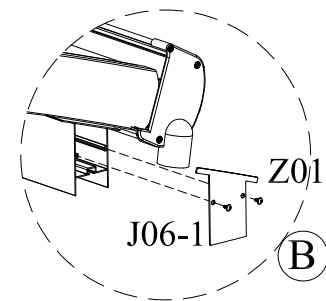
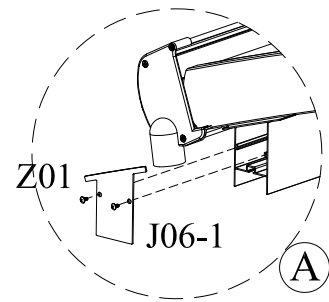
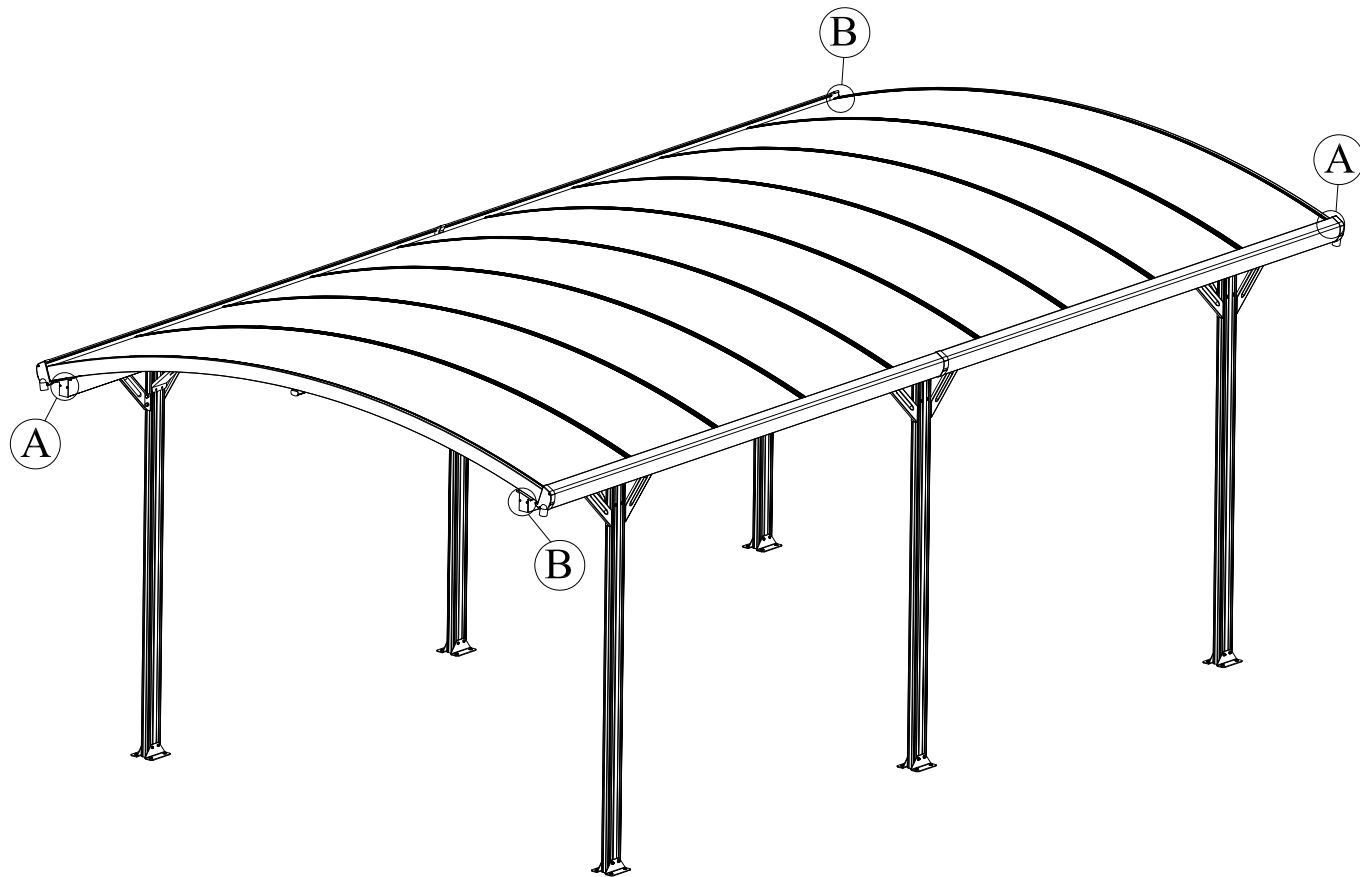
PART	#	mm	Qty.
	L06L	2837	1
	L06R	2837	1
	W03	∅3.5*100	3
	W07	100*20*5	1
	S01	M6*12	2

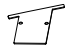



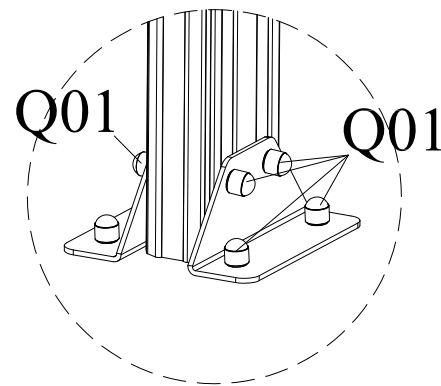
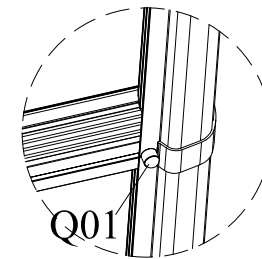
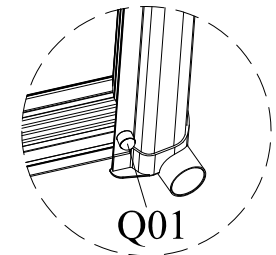
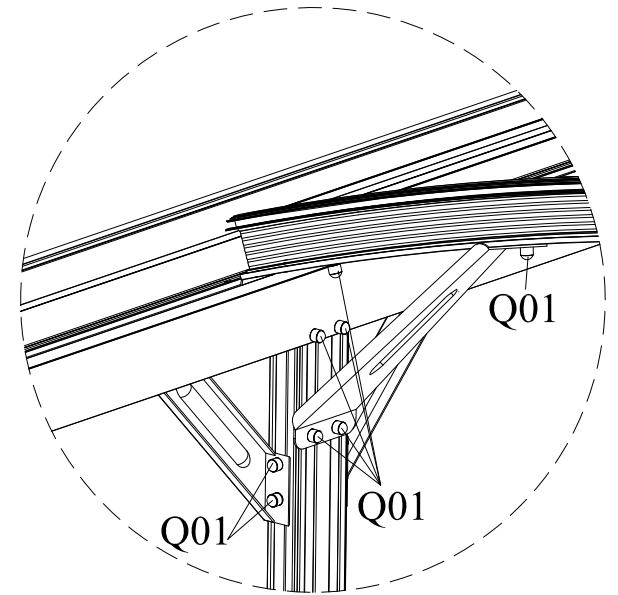
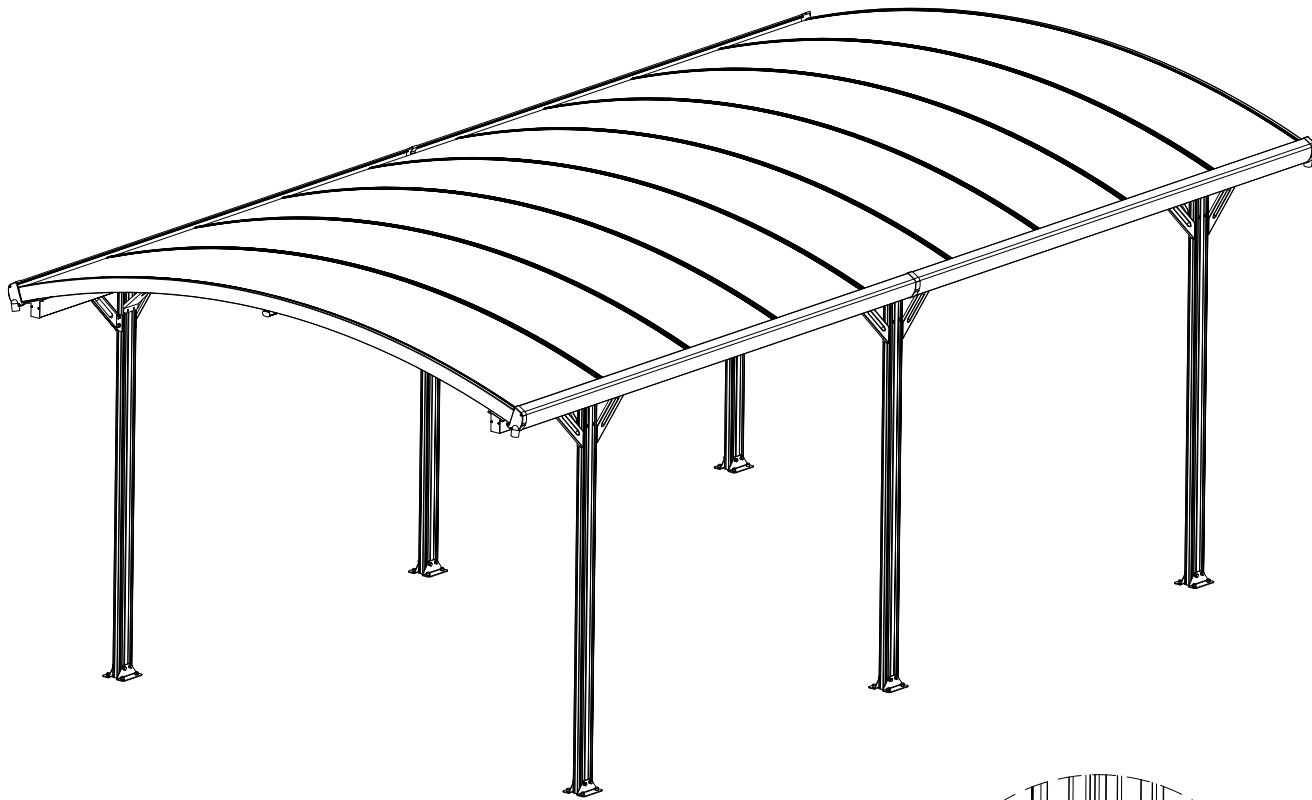
PART	#	mm	Qty.
	J03L		2
	J03R		2
	Z03	Ø4*8	12




PART	#	mm	Qty.
	S01	M6*12	20
	M01	M6	20



PART	#	mm	Qty.
	J06-1		4
	Z01	Ø4*6	8



PART	#	mm	Qty.
	Q01	M6*10	200

