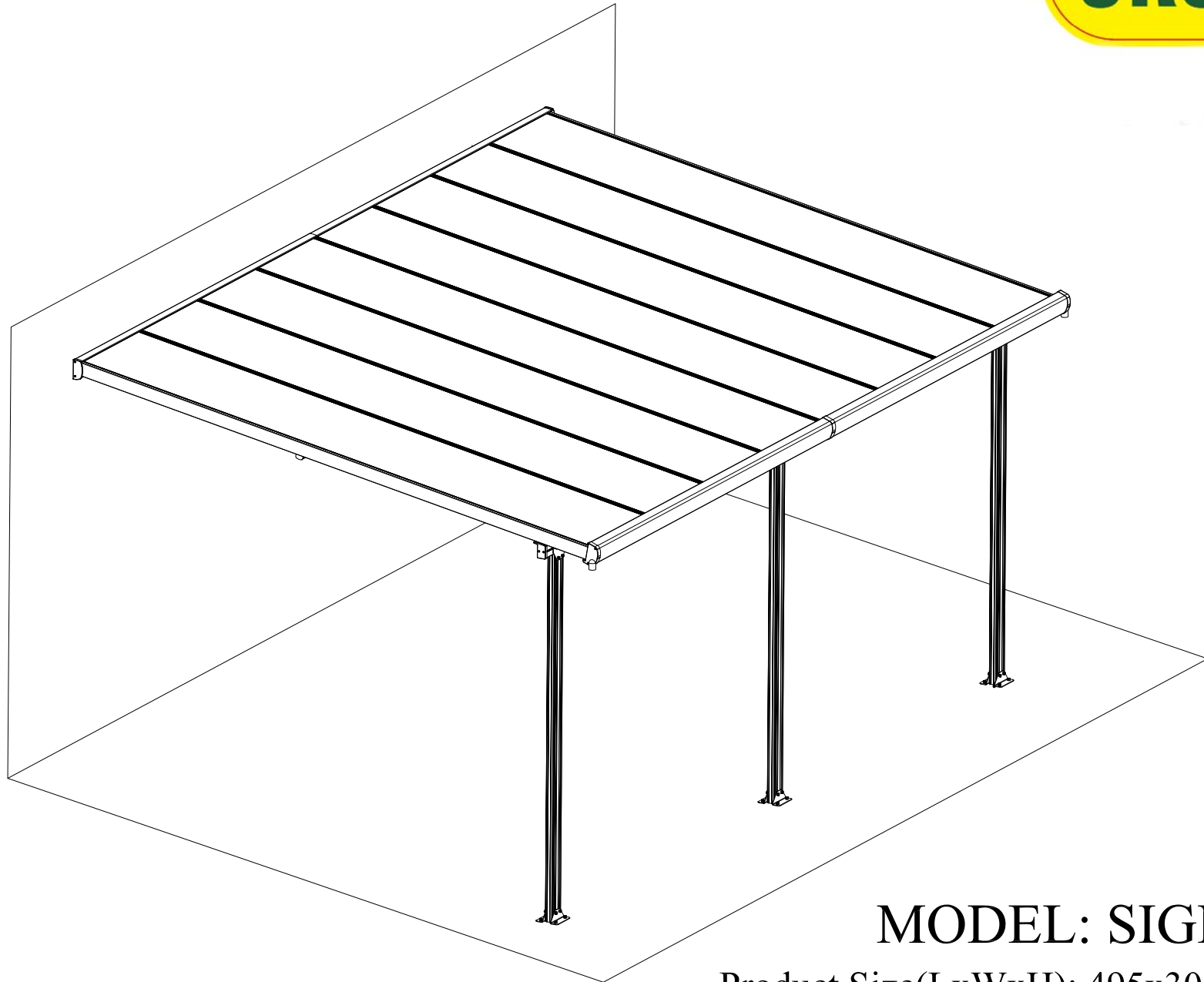


Patio Cover Assembly Instructions

URSULA



MODEL: SIGMA

Product Size(LxWxH): 495x303x206/258cm

IMPORTANT

Please read the instructions carefully before you start to assemble this patio cover.

Please ensure that you find all parts in the carton in the correct type and quantity as mentioned in the illustrated content list.

Please carry out the steps in the order set out in the instructions.

Tighten all screws and parts, after completed the assembly of the polycarbonate panels.

Keep the instructions in a safe place for future reference.

SAFETY ADVICE

- We strongly recommend the product to be assembled by at least two people.
- Do not attempt to assemble the patio cover in windy or wet conditions.
- Do not position your patio cover in an area exposed to excessive wind.
- Identify any possible hazards including underground and overhead power cables and underground water pipes etc.
- Always wear gloves, safety goggles, long sleeves and shoes when assembling or performing any maintenance on your product.
- Some parts may have sharp edges. Please be careful when handling components.
- When using a stepladder or power tools, make sure you follow the manufacturer's safety advice.
- Dispose of all plastic bags safety-keep them out of reach of children.
- Keep children away from the assembly area.
- Do not attempt to assembly the patio cover if you are tired, have taken drugs or alcohol or if you are prone to dizzy spells.
- Do not climb or stand on the roof, to avoid falling down.
- Heavy snow load on roof will damage the product and making it unsafe to stand below or nearby. Please clean up the roof snow in time.











CLEANING & MAINTENANCE

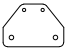

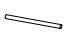

- When your patio cover needs cleaning, use a mild detergent solution and rinse with clean water.
- Do not use acetone, abrasive cleaners or other special detergents to clean the panels.
- Keep roof and gutter clear of snow, dirt and leaves.
- Hot items such as recently used grills, blowtorches etc, must not be stores in the patio cover.
- Heavy articles should not be leaned against the poles.
- Do not hang or lay on the profiles.
- Put small component parts (screws etc) in a box, so they will not missing.
Some parts maybe surplus after assembly, it is recommended to keep them in a safe place for future use.

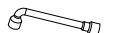
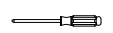
BEFORE ASSEMBLY


- Choose the site carefully before assembly, an unobstructed place, sheltered from strong winds is the best.
- Site surface needs to be flat and leveled.
- This patio cover should be assembled on a solid foundation (such as concrete or asphalt) and anchored to the ground.
- Make sure the wall you selected is strong enough for installation, a brick concrete structures is the best choice.
- Sort the parts and check according to the contents parts list.
- Please consult your local authorities if any permits are required prior to constructing the product.


Componentry

PART	#	mm	Qty.
	J01L		1
	J01R		1
	J02L		1
	J02R		1
	J03L		1
	J03R		1
	J04		1
	J07		2
	Q01	M6*10	83
	P01	Ø10*50	22




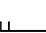



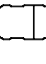

PART	#	mm	Qty.
	W01		6
	W02		6
	W03	Ø3.5*100	3
	W04	200*20*5	1
	W05	200*20*5	3

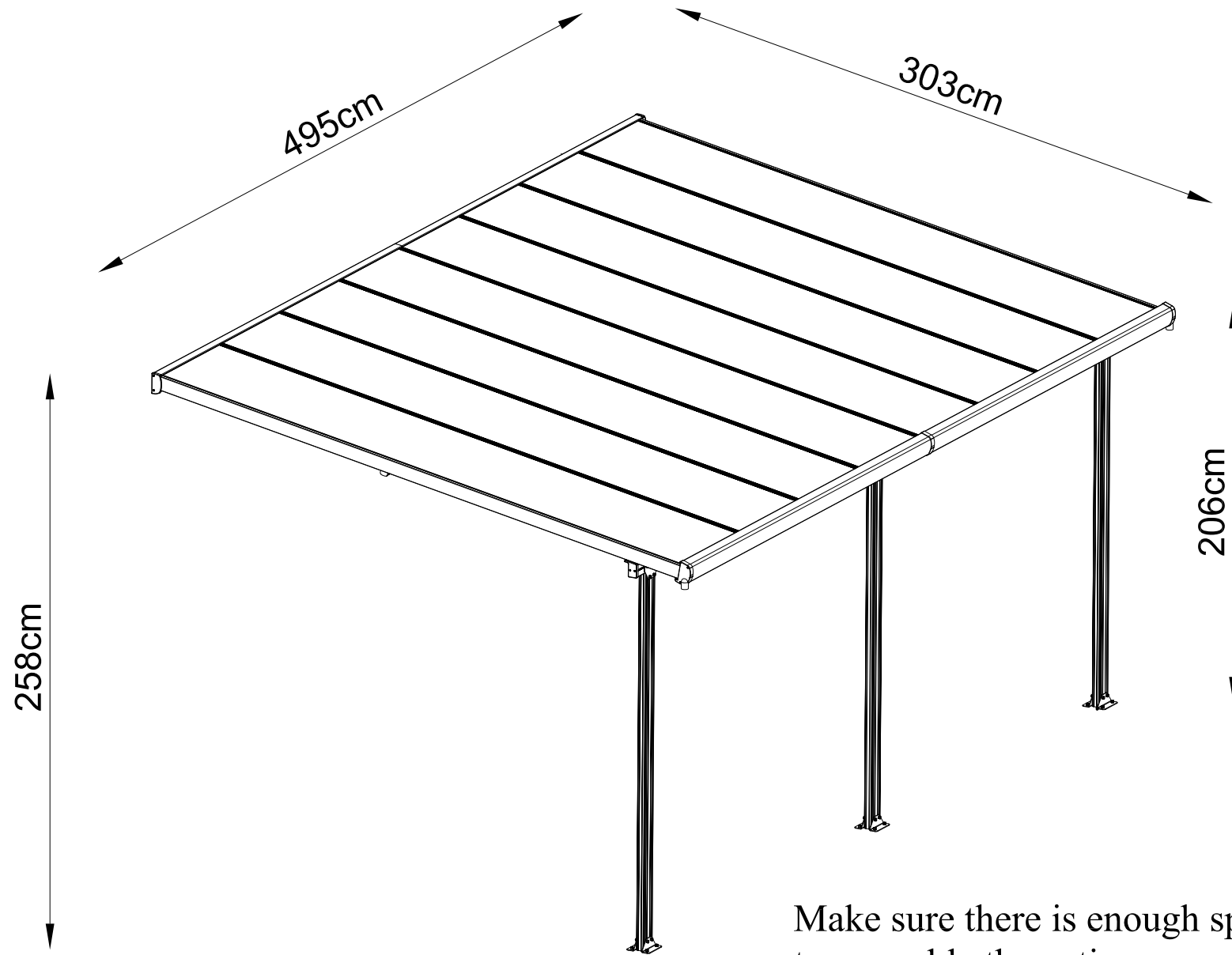
TOOL			
	T01		1
	T02		1

PART	#	mm	Qty.
	Y	3005*600	8

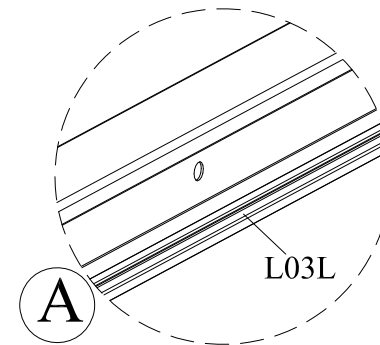
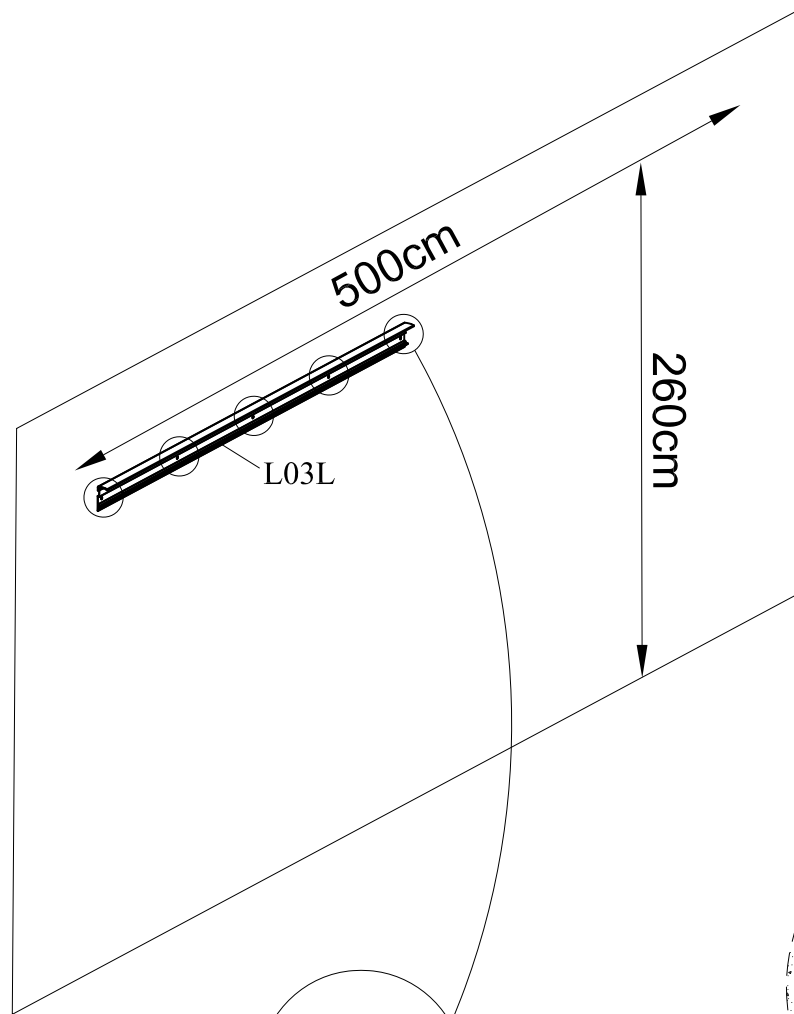
PART	#	mm	Qty.
	L14	2456	2

PART	#	mm	Qty.
	S01	M6*12	70
	S02	M6*60	12
	M01	M6	82
	Z01	Ø4*6	4
	Z02	Ø4*16	9
	Z03	Ø4*8	14
	Z04	Ø6*50	22
	N01	Ø6*Ø12*1	46
	N02	Ø6*Ø18*1	2
	N03	Ø5*Ø15*1	1

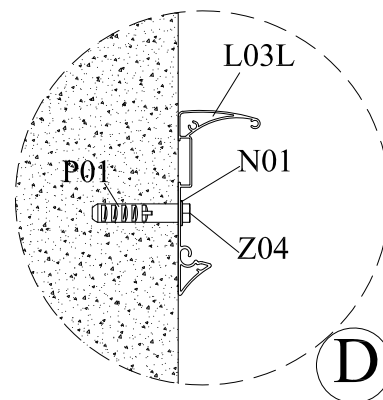
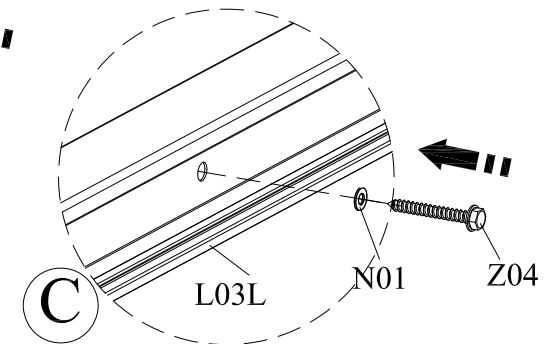
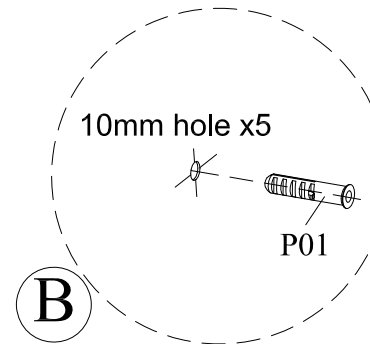
PART	#	mm	Qty.
	L01	2990	7
	L02	2990	2
	L03L	2474	1
	L03R	2474	1
	L04L	2474	1
	L04R	2474	1
	L05L	2474	1
	L05R	2474	1
	L06L	2473	1
	L06R	2473	1
	L07L	2456	1
	L07R	2456	1
	L08	1950	3
	L13	2456	2







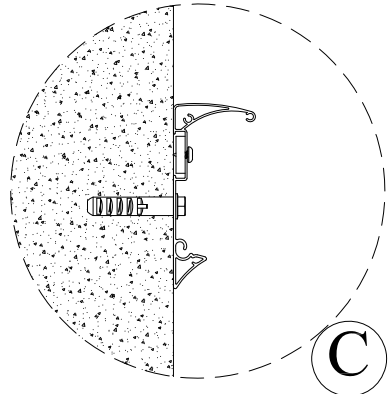
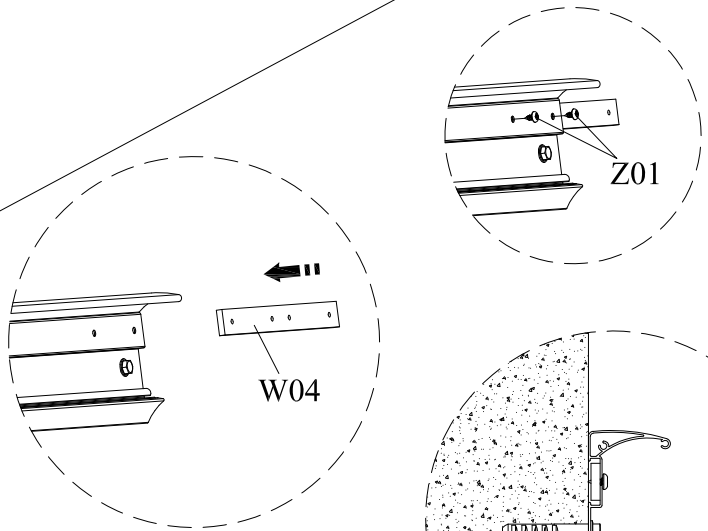
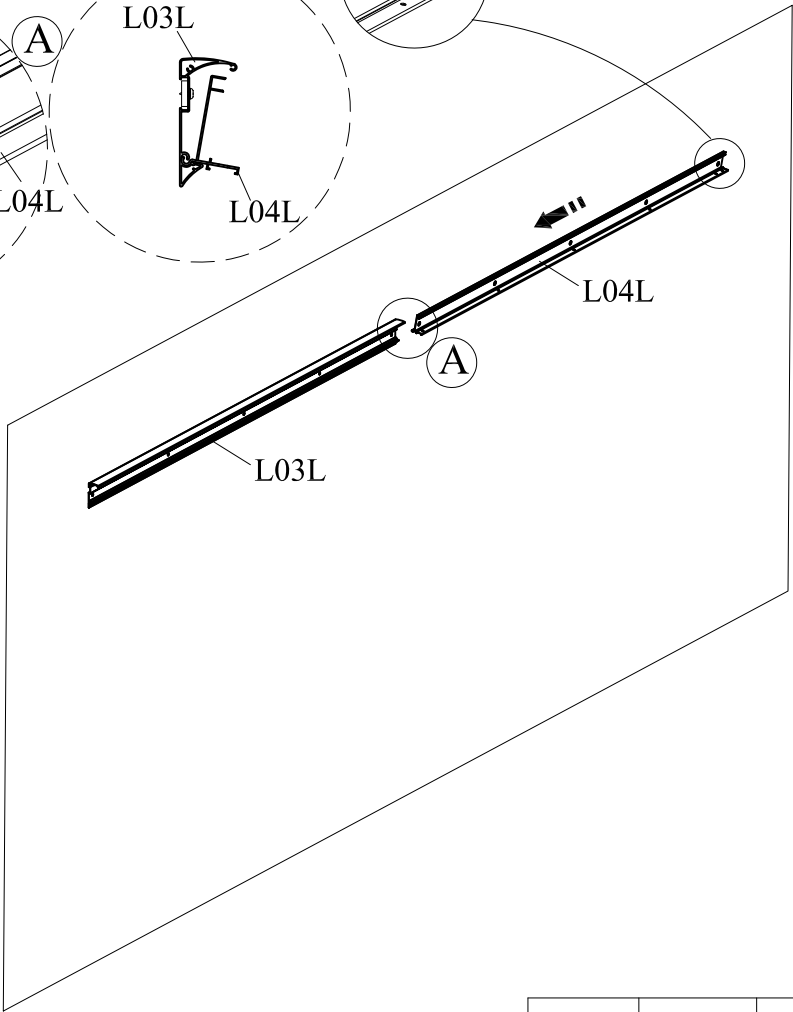
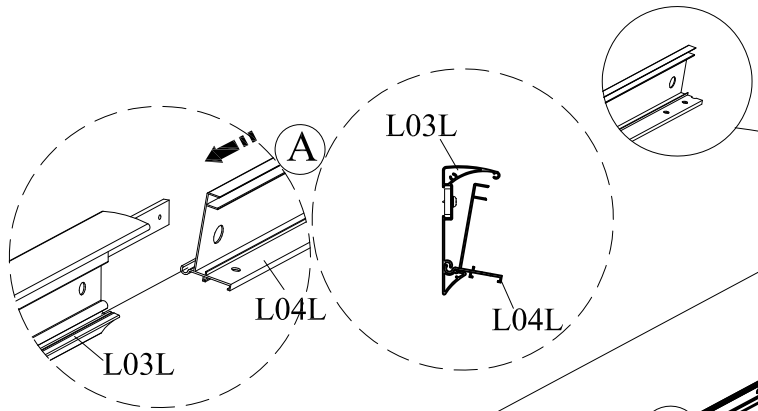
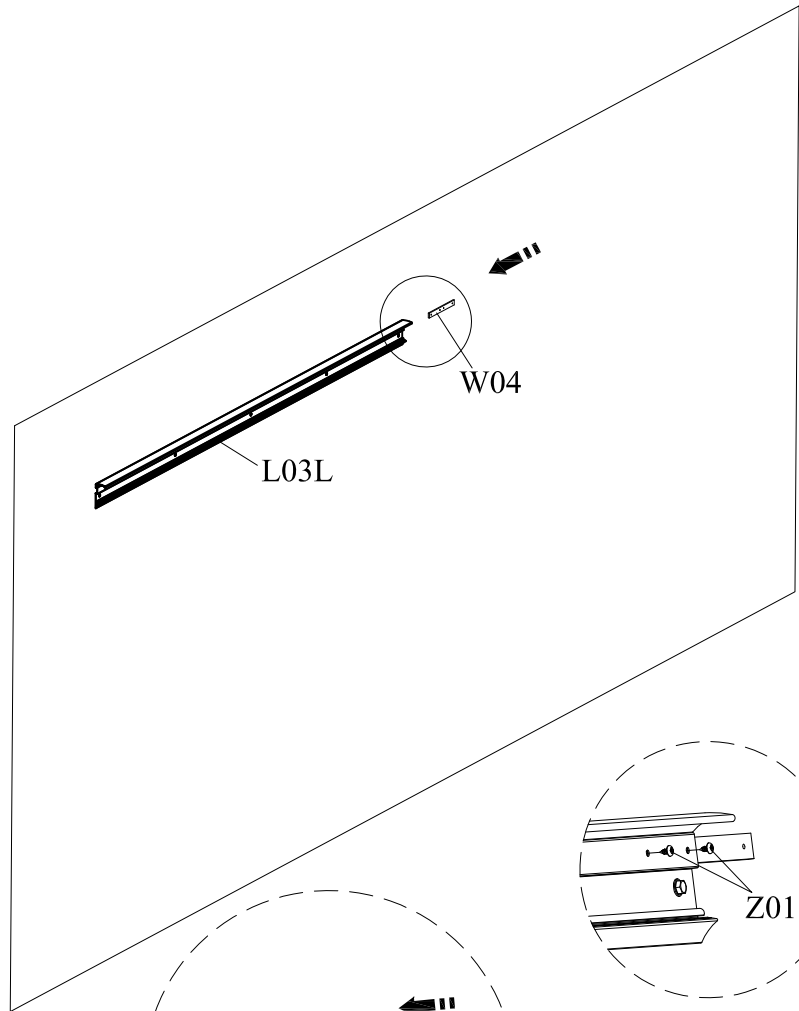
Make sure there is enough space to assemble the patio cover.

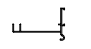
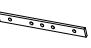



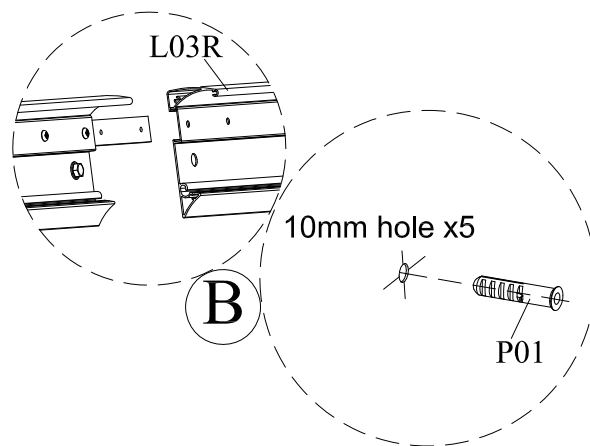
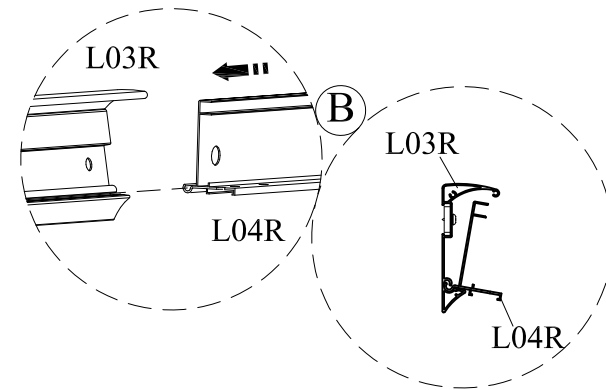
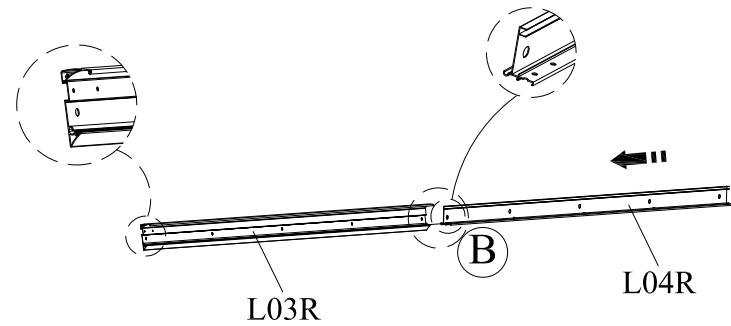
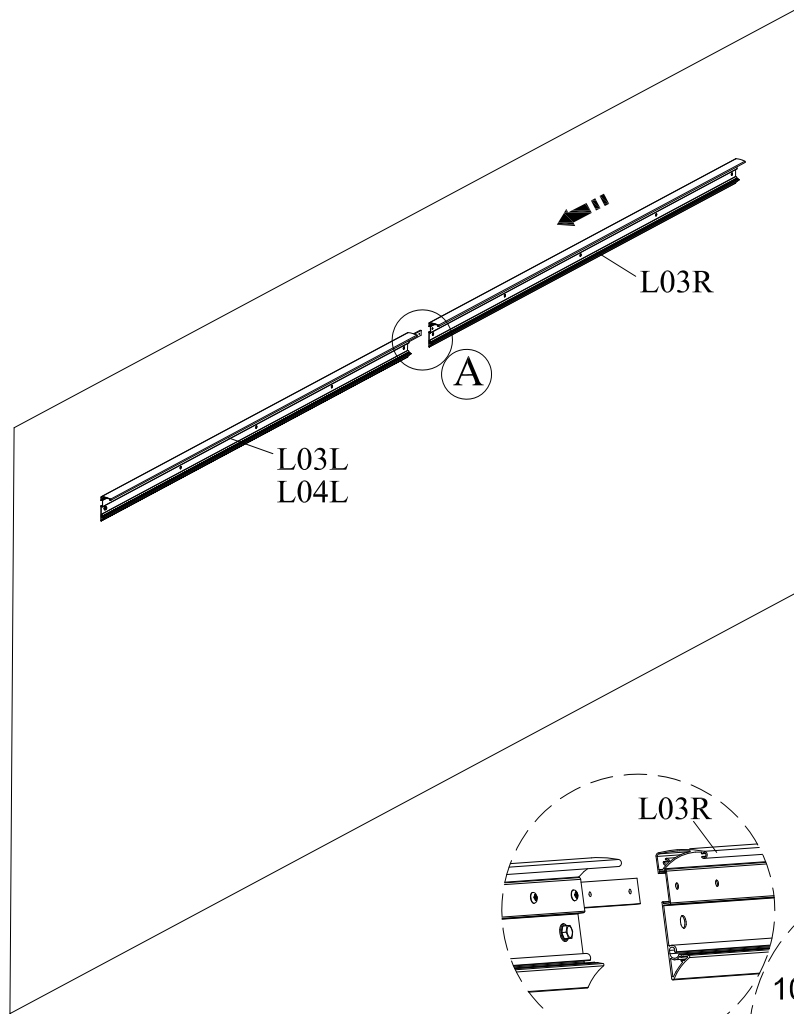
Using $\text{Ø}10\text{mm}$ drill, drill 5 holes on the wall located by the holes on L03L, keep L03L horizontal with the ground.




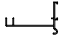

PART	#	mm	Qty.
	L03L	2474	1
	P01	$\text{Ø}10*50$	5
	Z04	$\text{Ø}6*50$	5
	N01	$\text{Ø}6*\text{Ø}12*1$	5

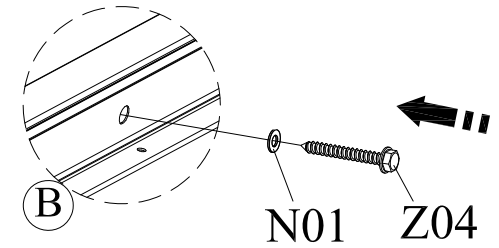
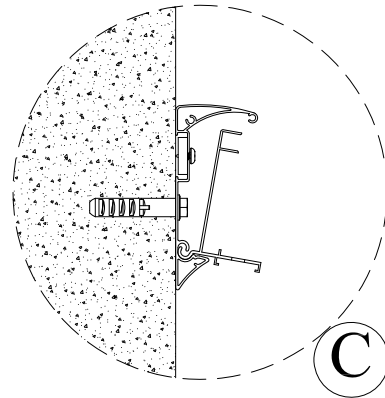
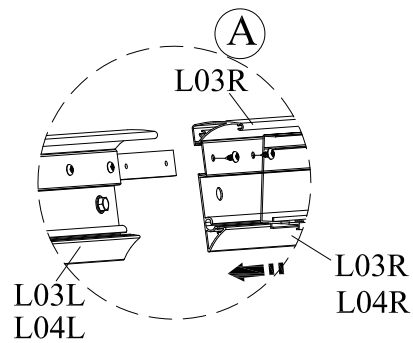
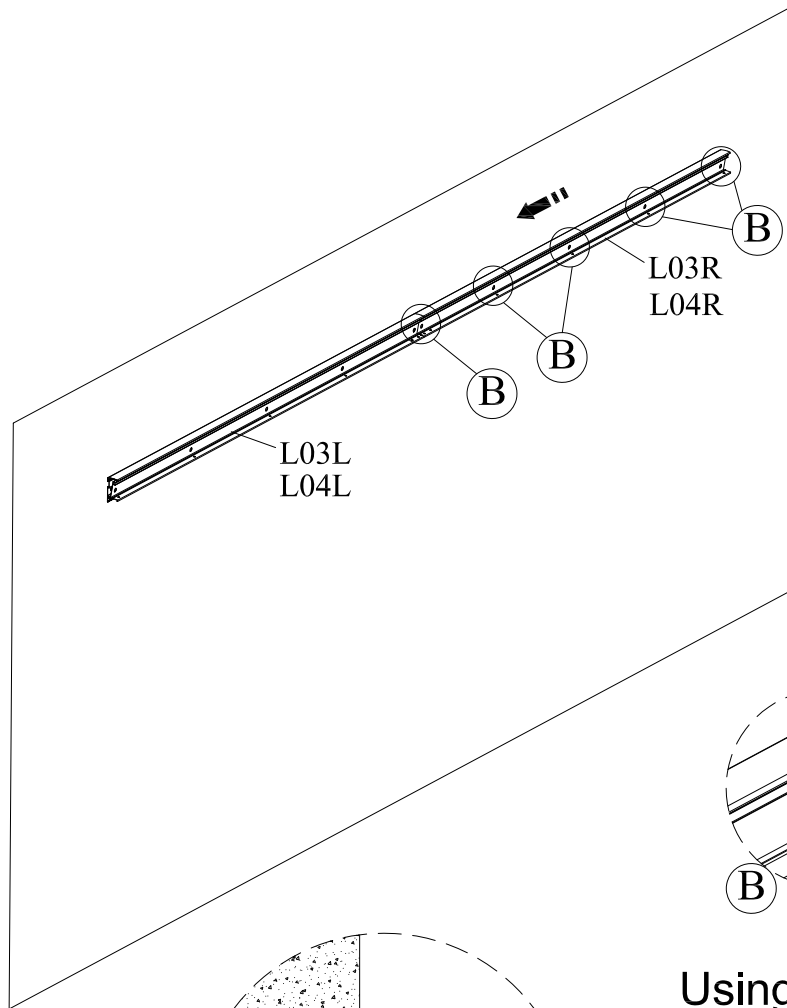
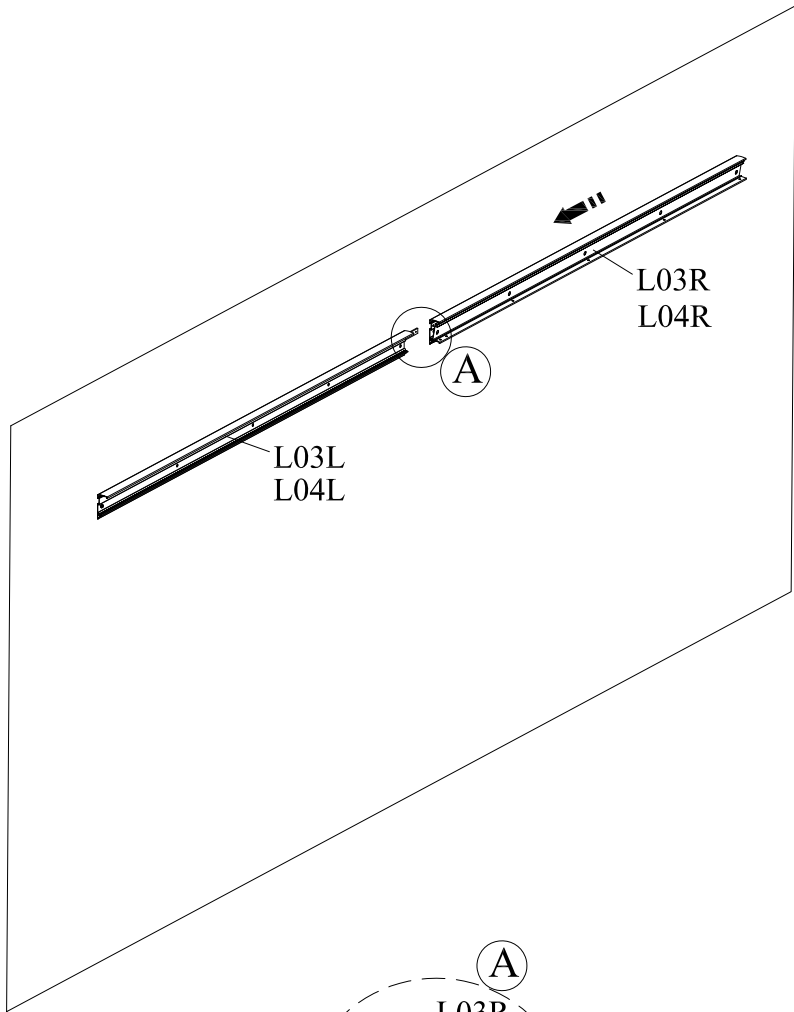


PART	#	mm	Qty.
	L04L	2474	1
	W04	200*20*5	1
	Z01	Ø4*6	2






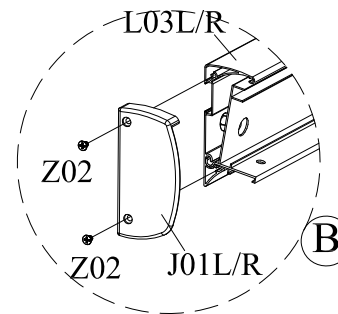
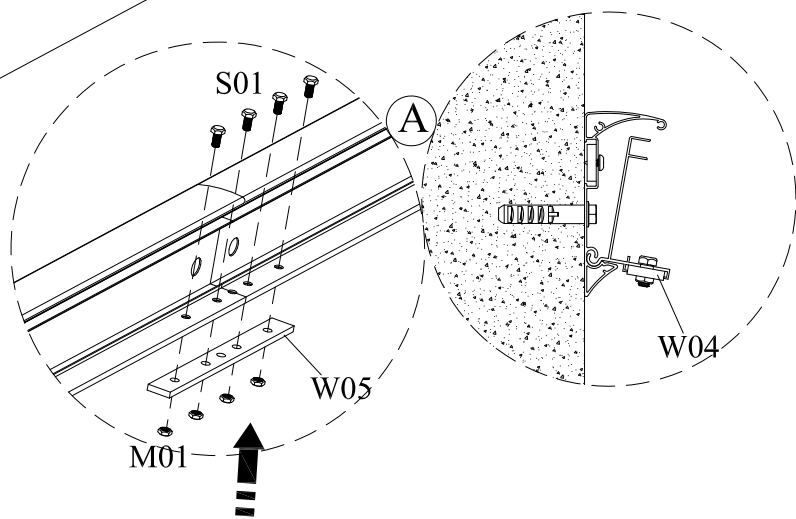
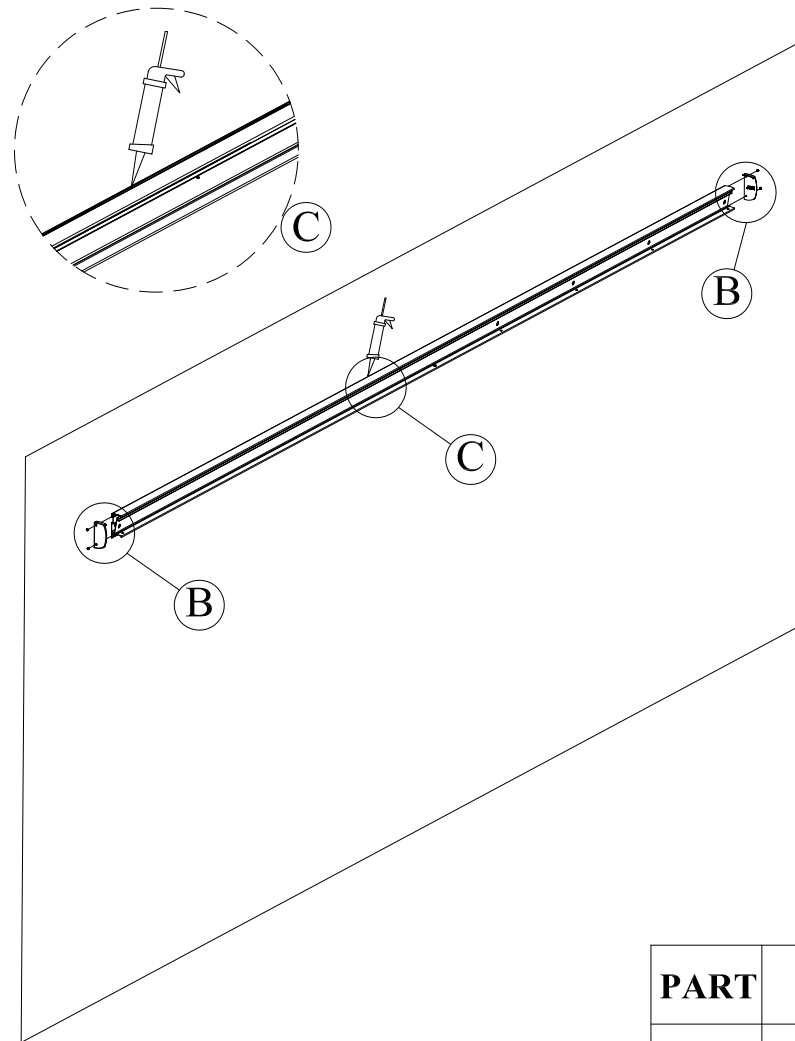
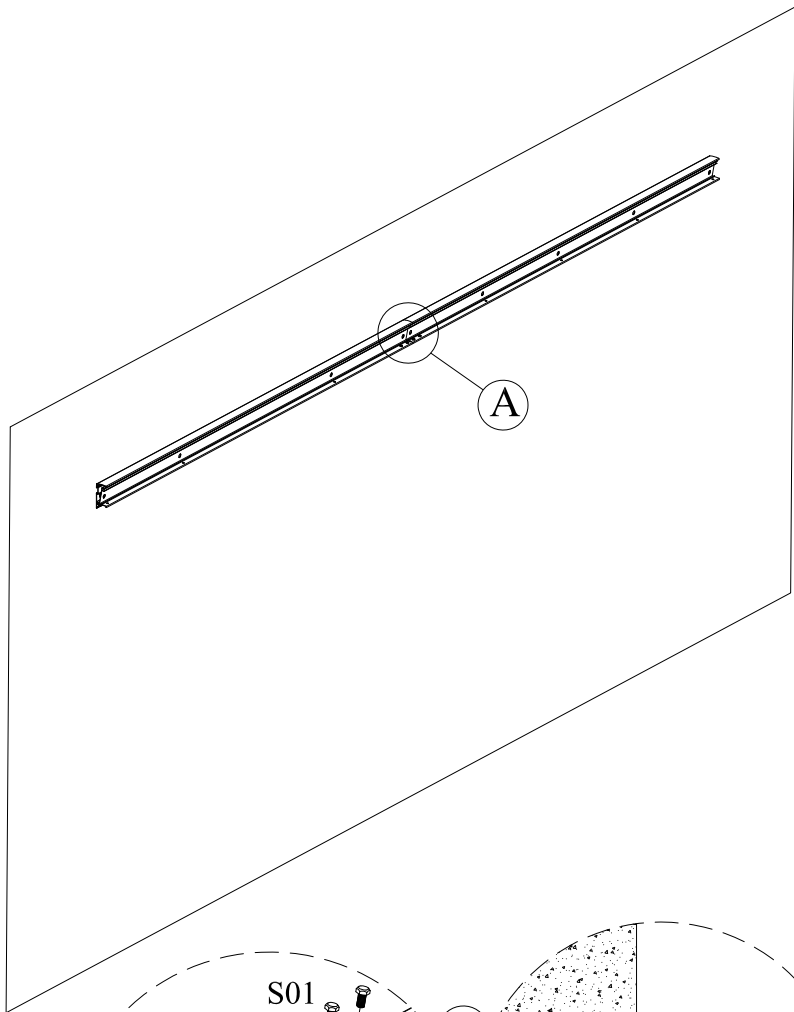
Insert L03R into W04, using Ø10mm drill, drill 5 holes on the wall located by the holes on L03R, then take L03R, put P01 into the holes.







PART	#	mm	Qty.
	L03R	2474	1
	L04R	2474	1
	P01	Ø10*50	5

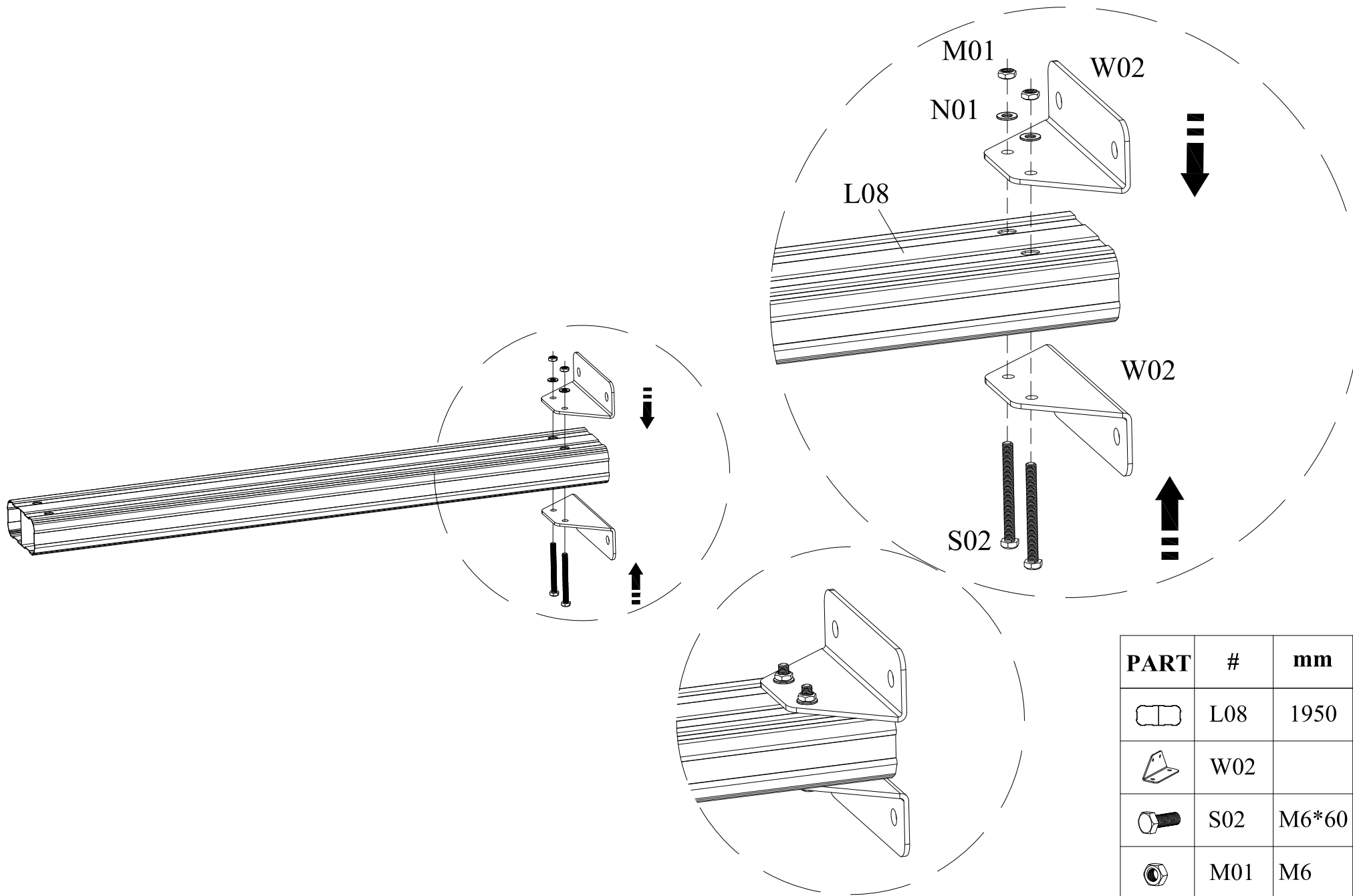


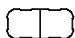




Using Z04 and N01, fix L03R on the wall through the holes on L04R.

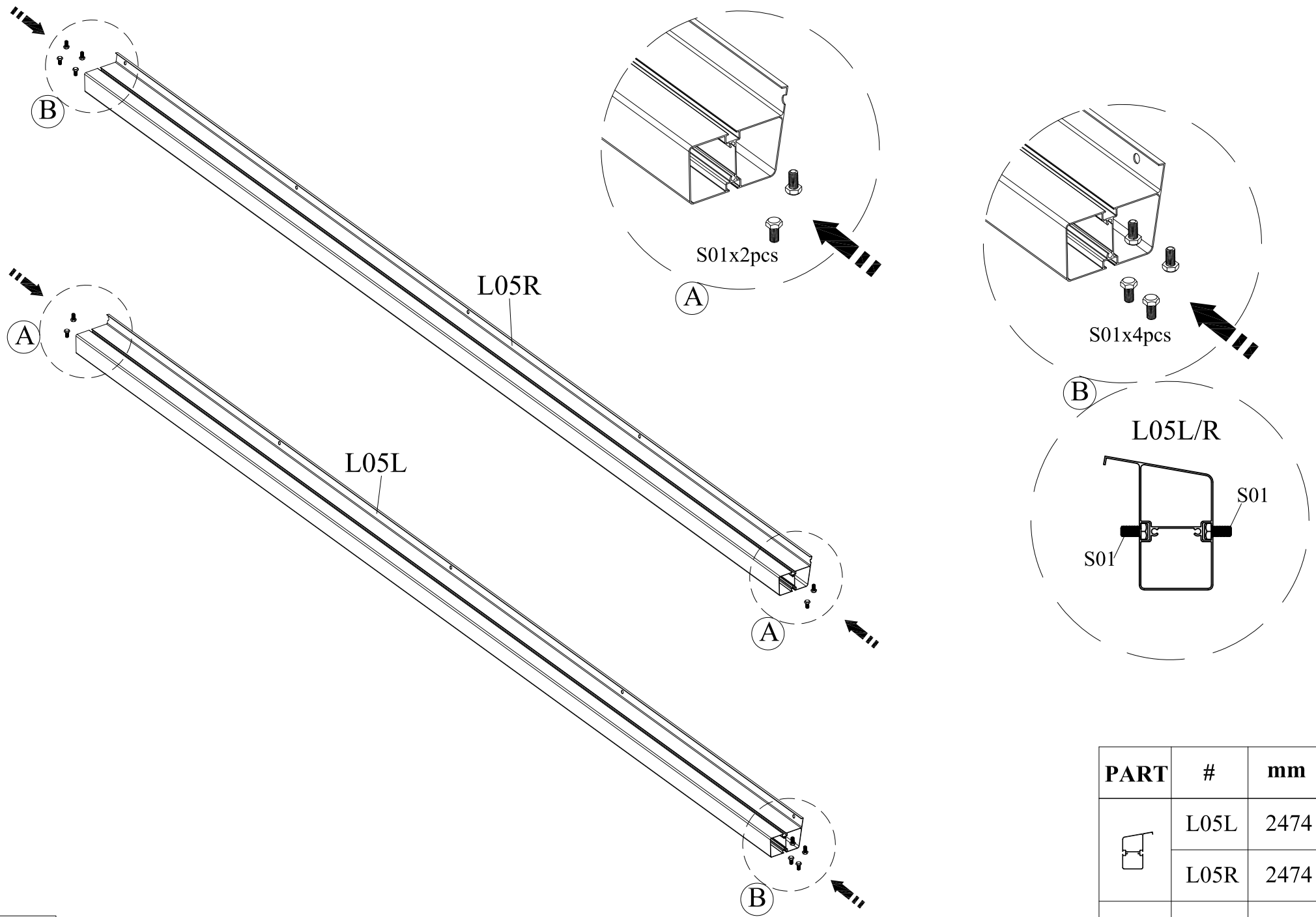
PART	#	mm	Qty.
	Z01	Ø4*6	2
	Z04	Ø6*50	5
	N01	Ø6*Ø12*1	5



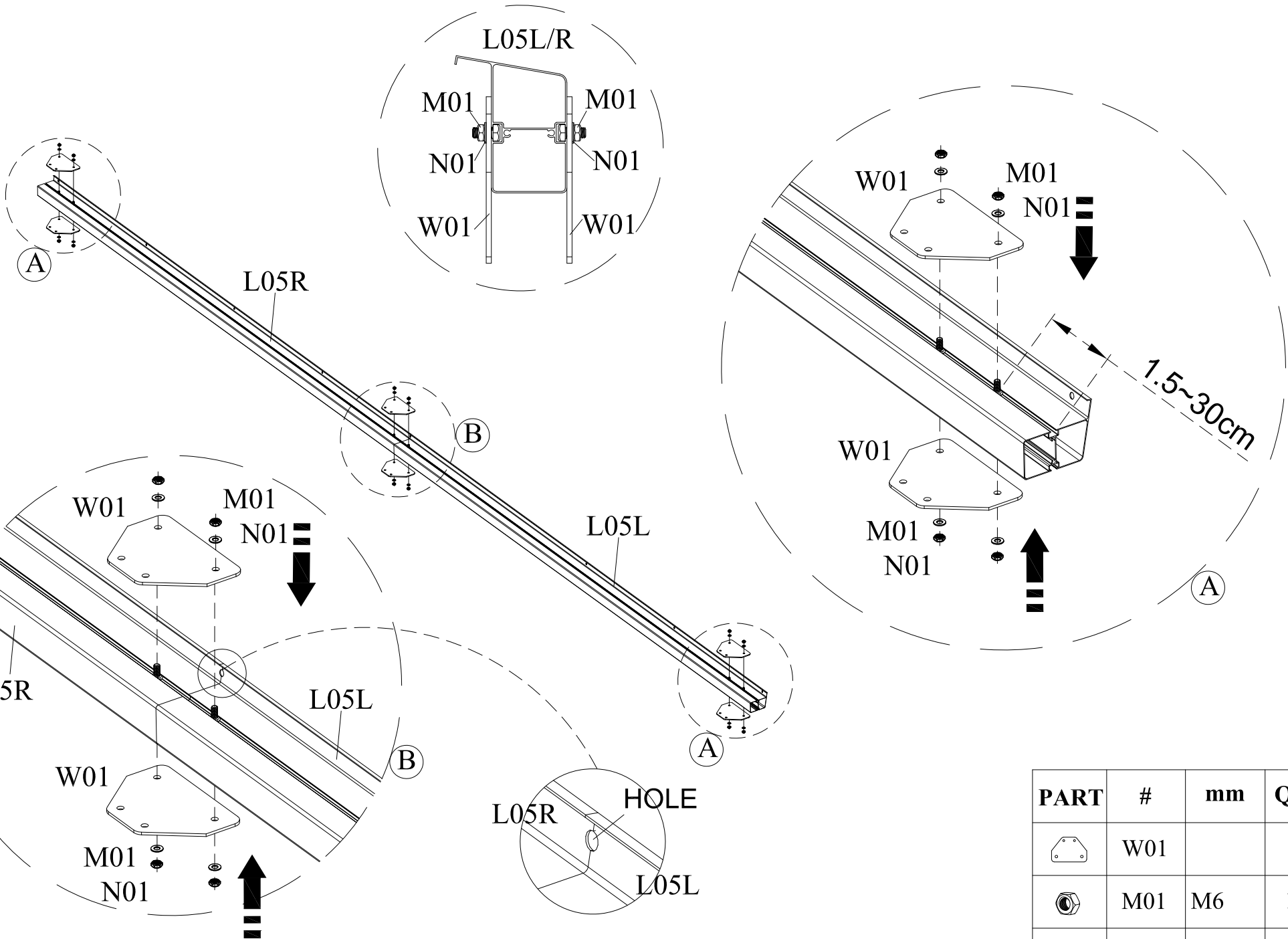
PART	#	mm	Qty.
	W05	200*20*5	1
	J01L		1
	J01R		1
	S01	M6*12	4
	M01	M6	4
	Z03	Ø4*8	6

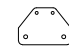




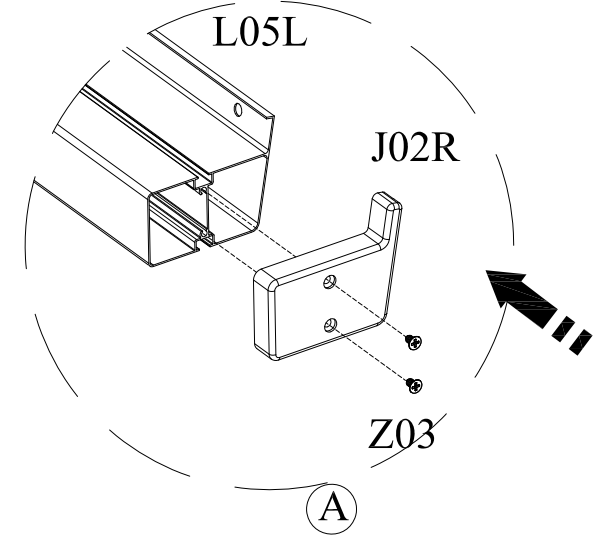
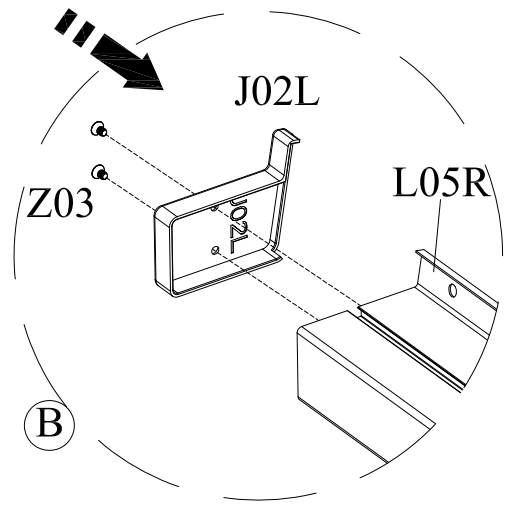
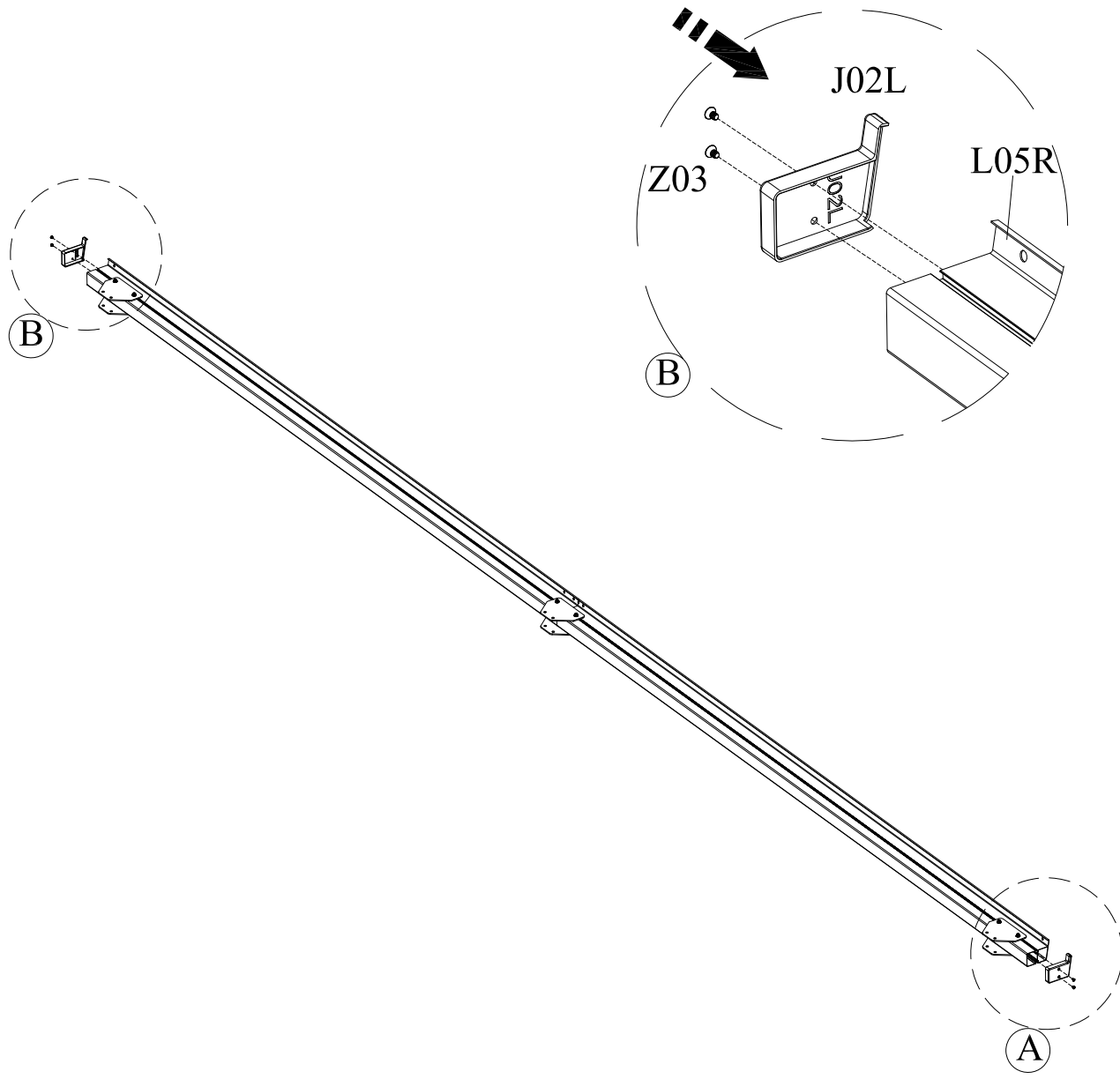
PART	#	mm	Qty.
	L08	1950	3
	W02		6
	S02	M6*60	6
	M01	M6	6
	N01	Ø6*Ø12*1	6






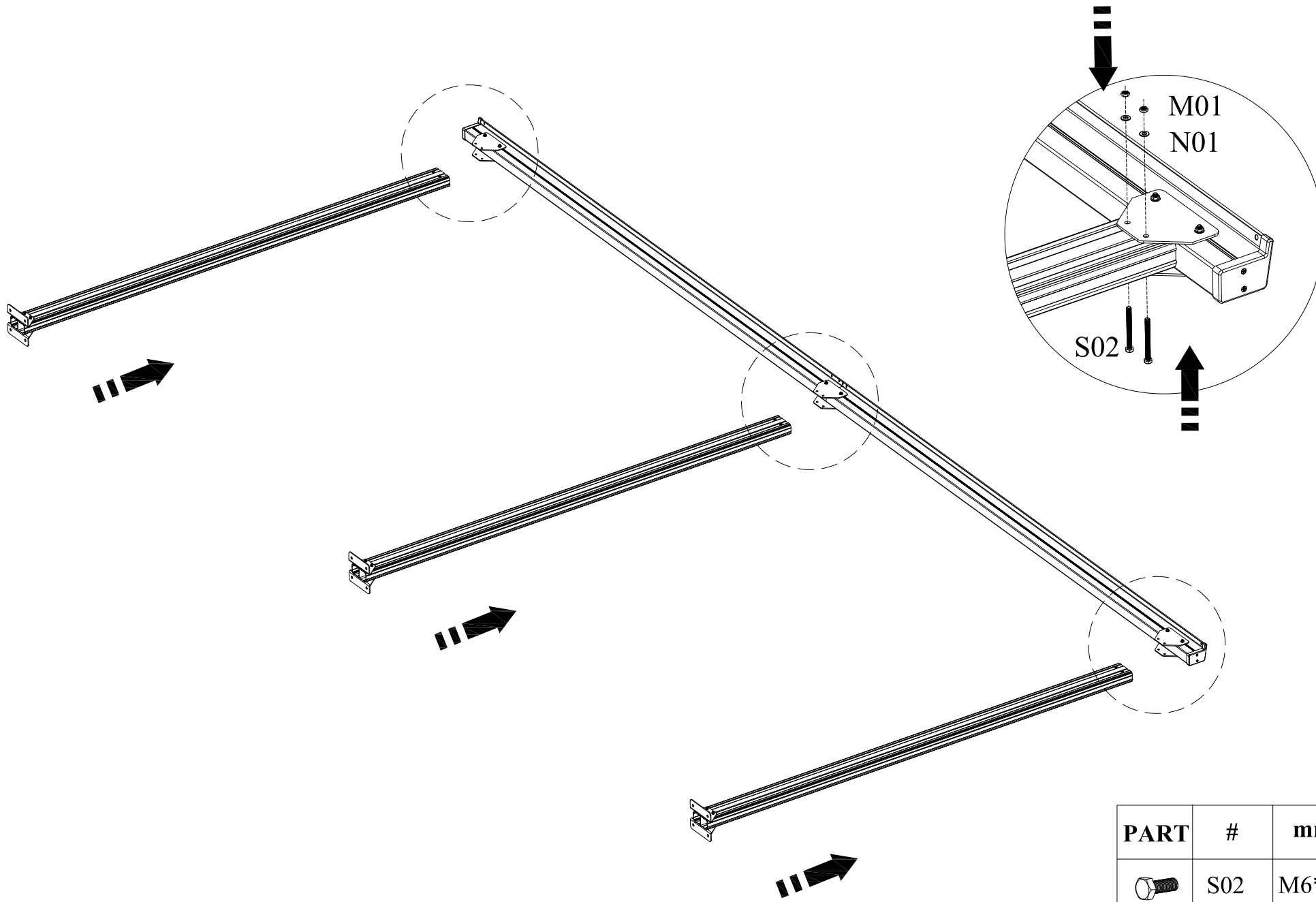
PART	#	mm	Qty.
	L05L	2474	1
	L05R	2474	1
	S01	M6*12	12

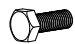




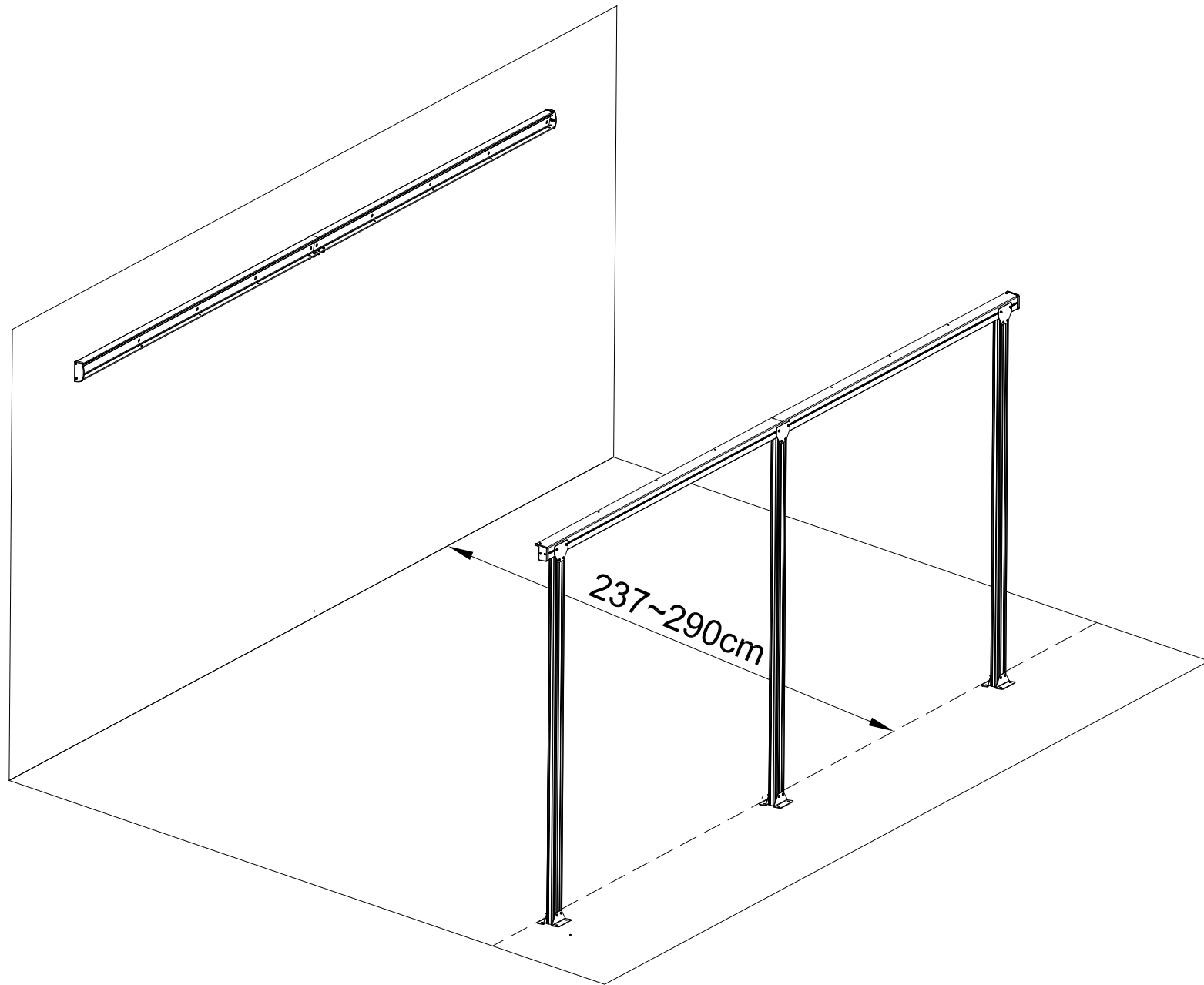
PART	#	mm	Qty.
	W01		6
	M01	M6	12
	N01	Ø6*Ø12*1	12

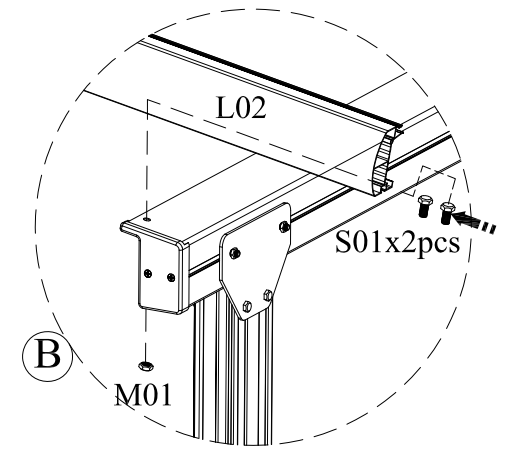
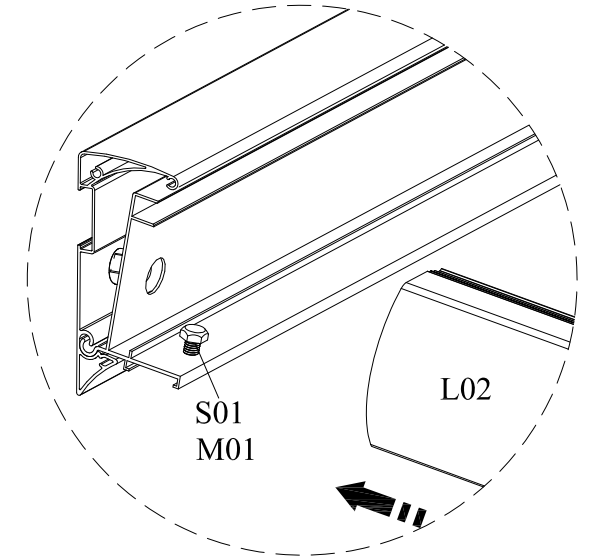
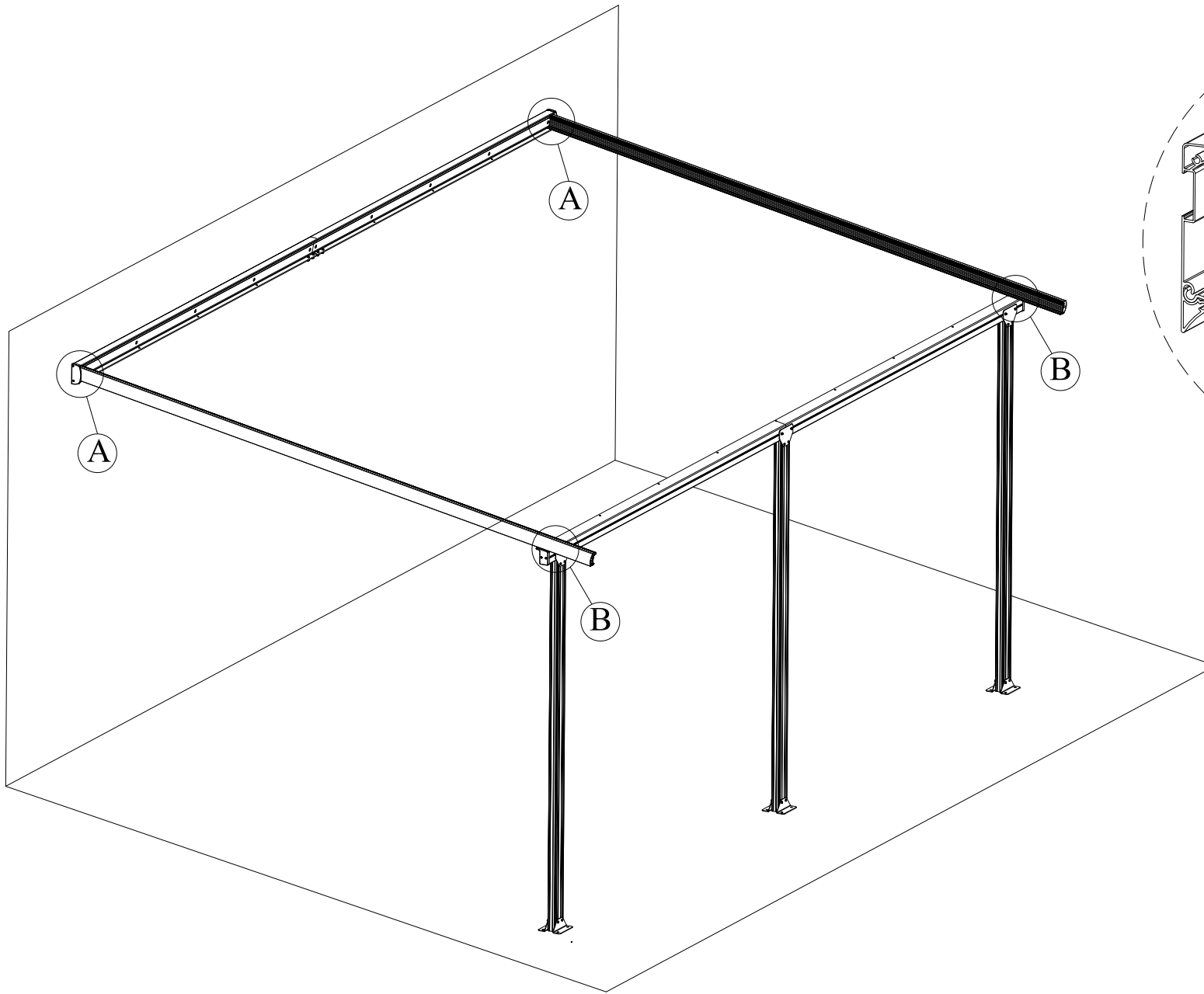





PART	#	mm	Qty.
	J02L		1
	J02R		1
	Z03	Ø4*8	4

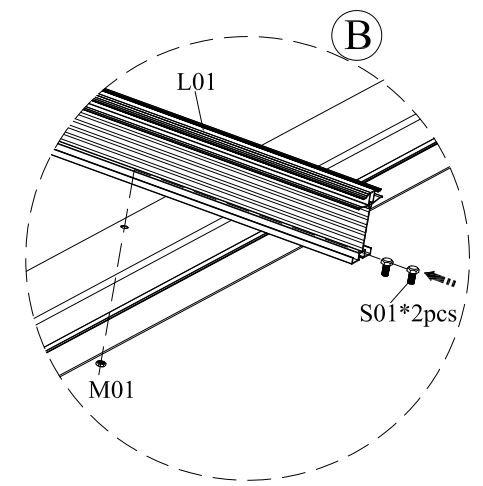
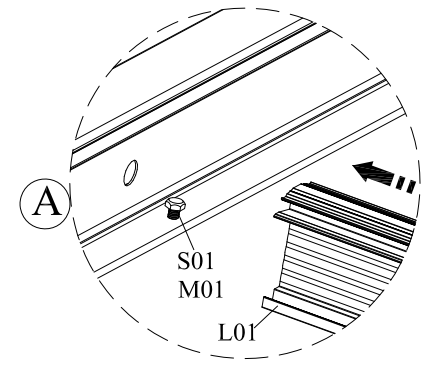
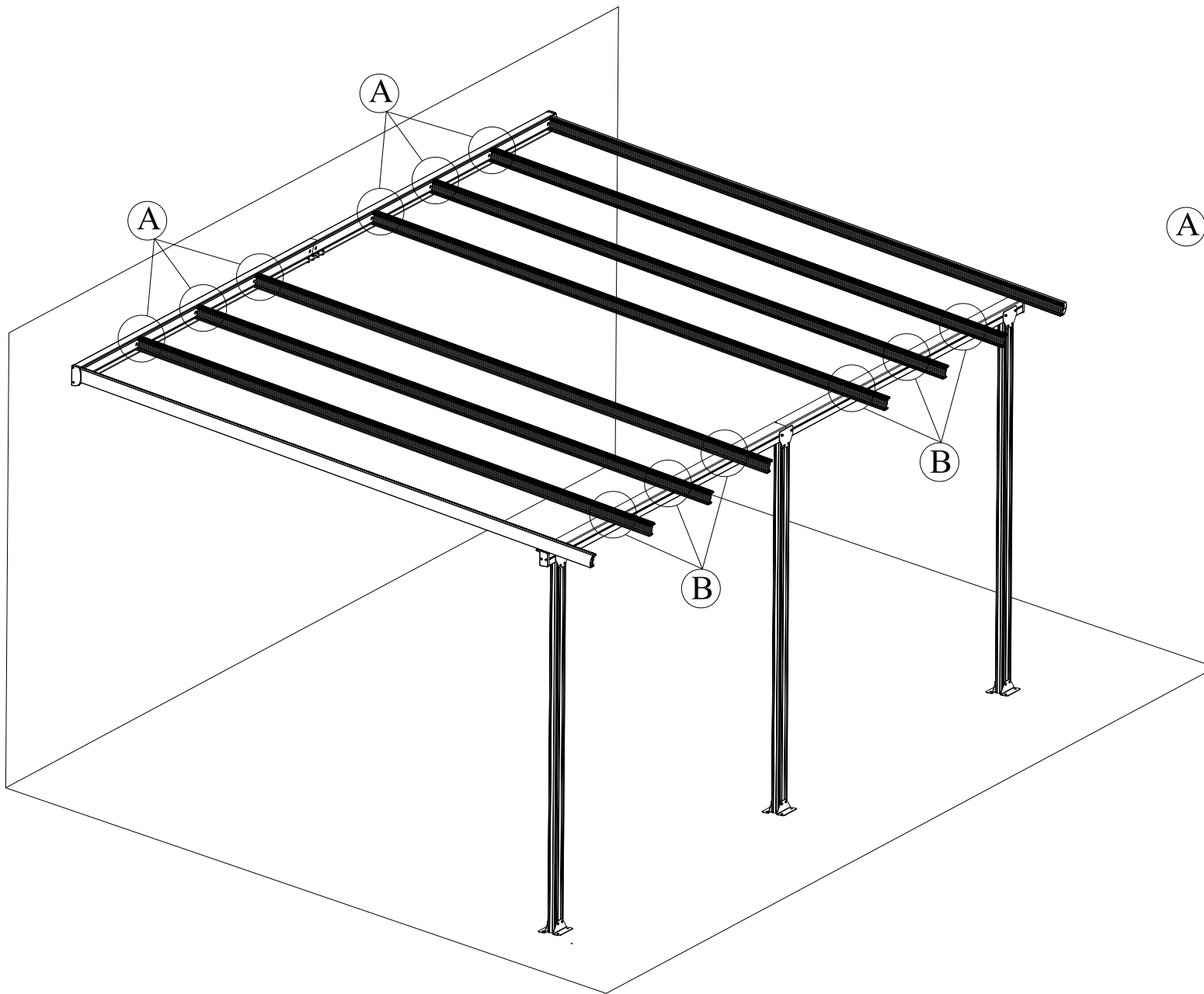



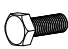

PART	#	mm	Qty.
	S02	M6*60	6
	M01	M6	6
	N01	Ø6*Ø12*1	6

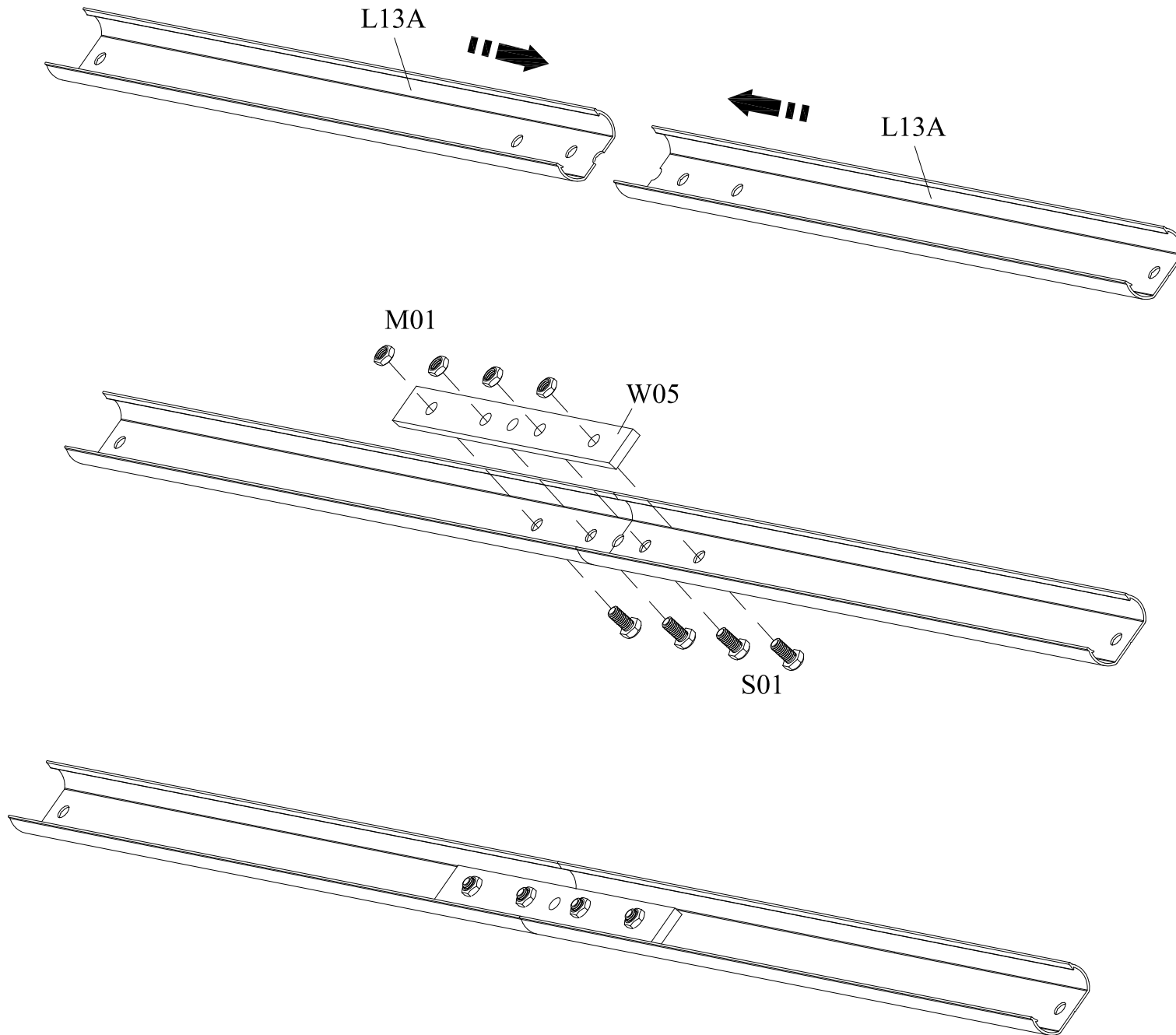




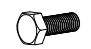



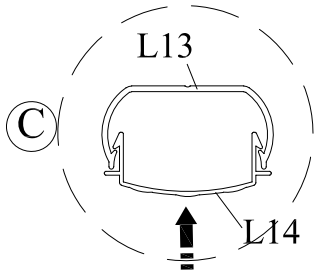
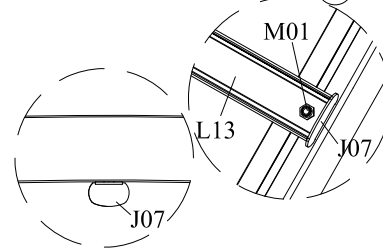
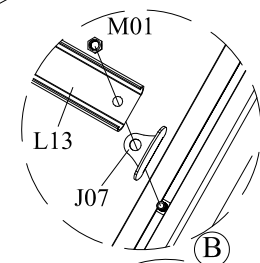
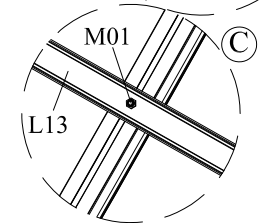
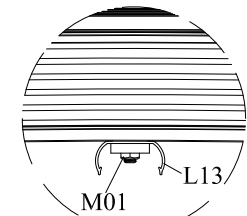
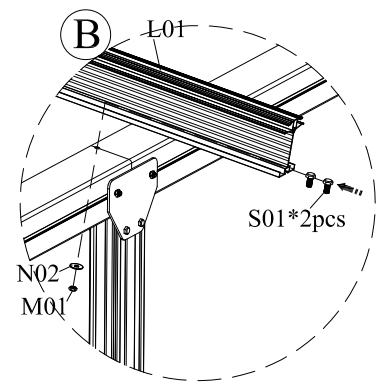
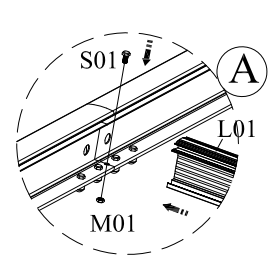
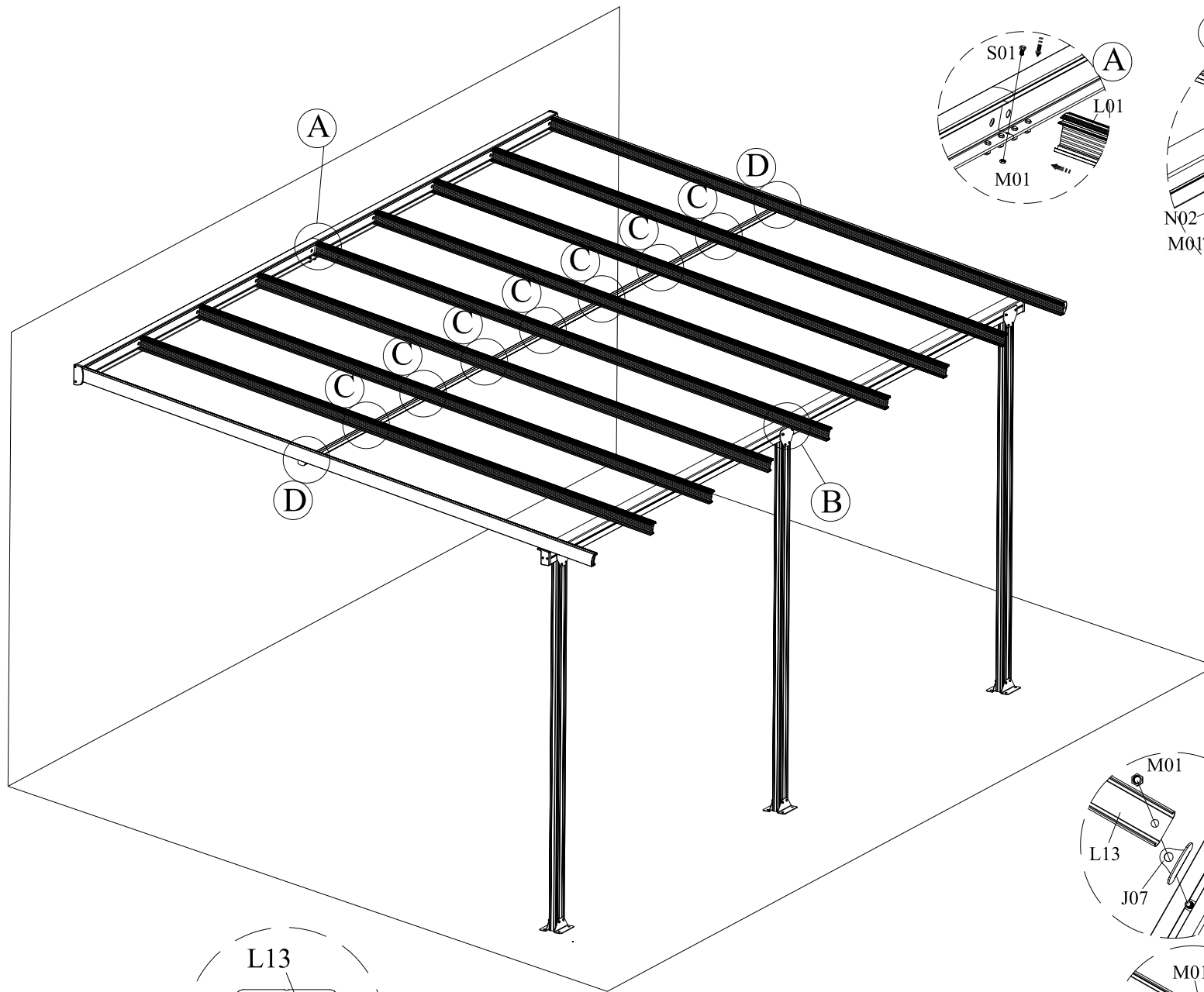
PART	#	mm	Qty.
	L02	2990	2
	S01	M6*12	6
	M01	M6	4



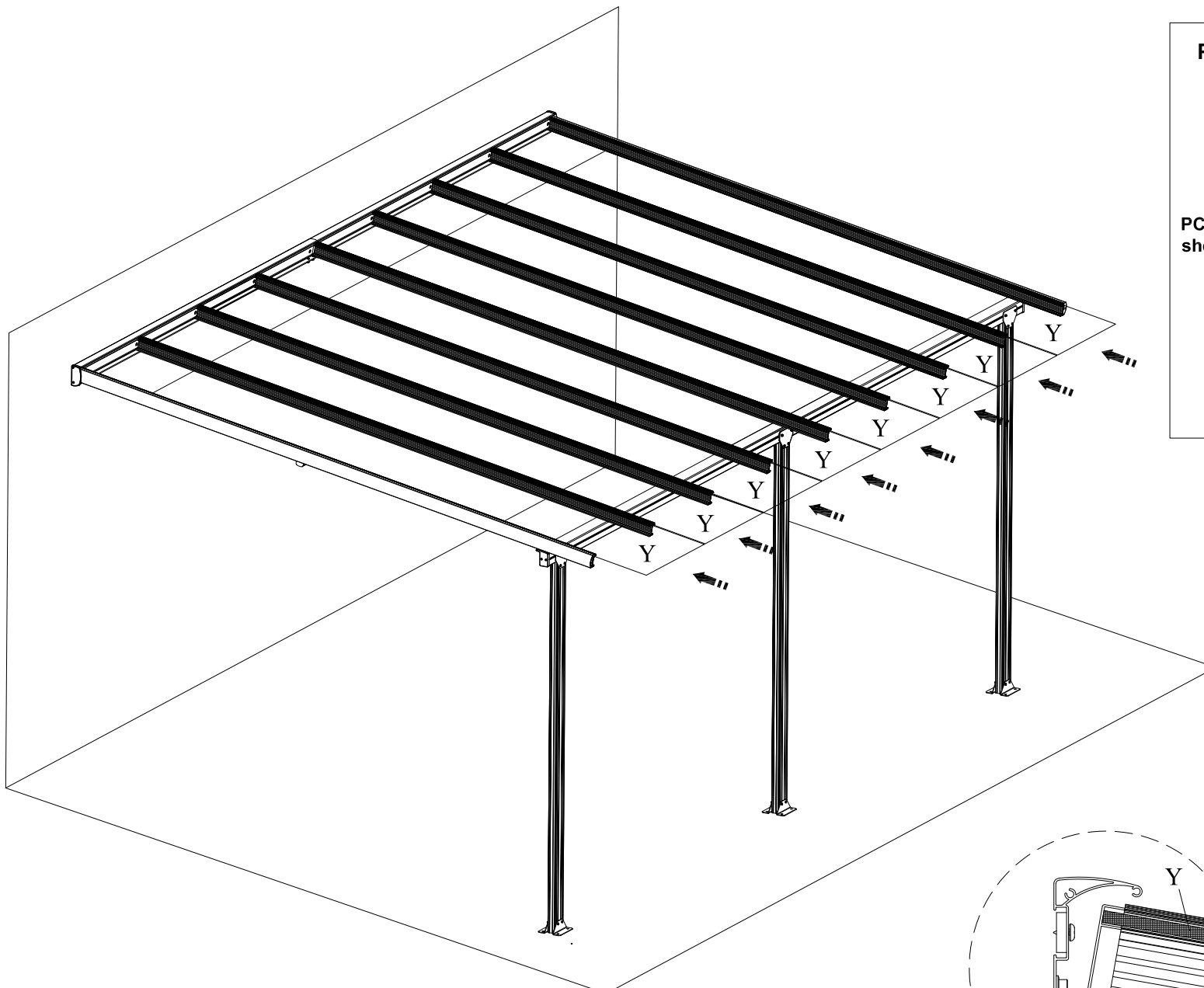
PART	#	mm	Qty.
	L01	2990	6
	S01	M6*12	18
	M01	M6	12



PART	#	mm	Qty.
	L13	2456	2
	W05	200*20*5	1
	S01	M6*12	4
	M01	M6	4



PART	#	mm	Qty.
	L01	2990	1
	L14	2456	2
	J07		2
	S01	M6*12	3
	M01	M6	11
	N02	Ø6*Ø18*1	1



POLYCARBONATE PANEL

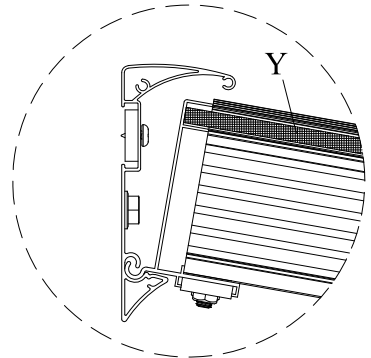
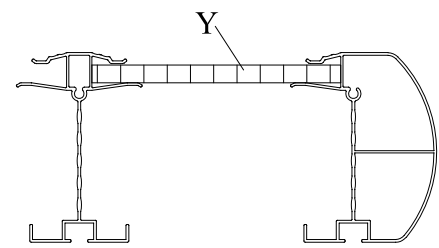
Transparent film

PC sheet

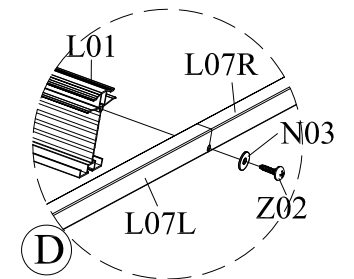
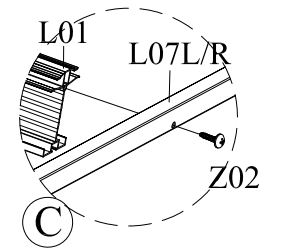
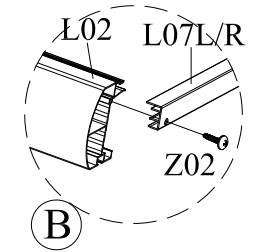
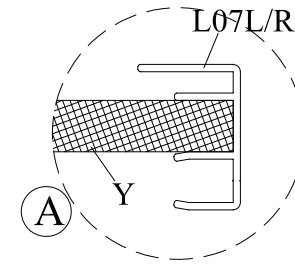
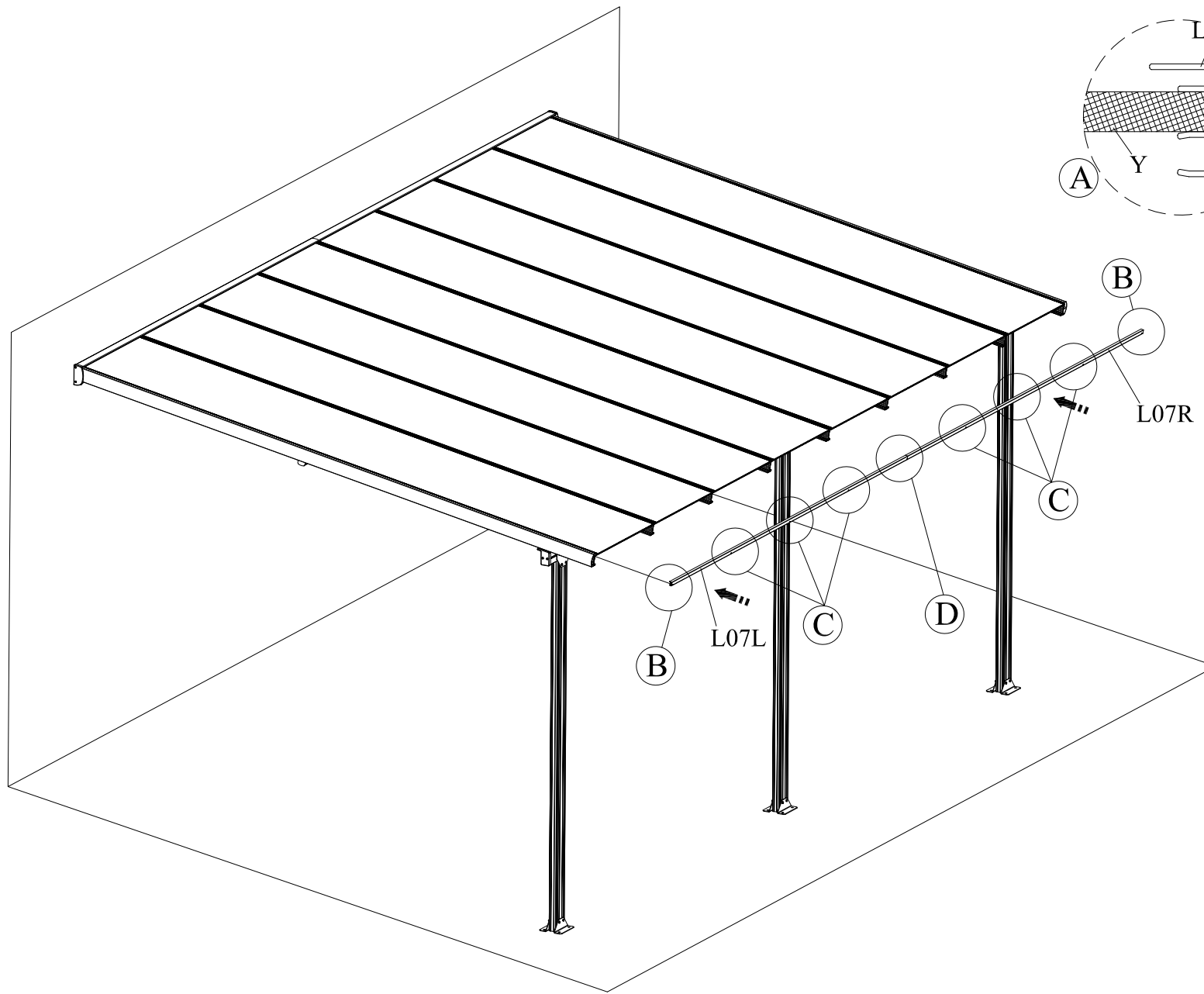
Opal white film



SUN

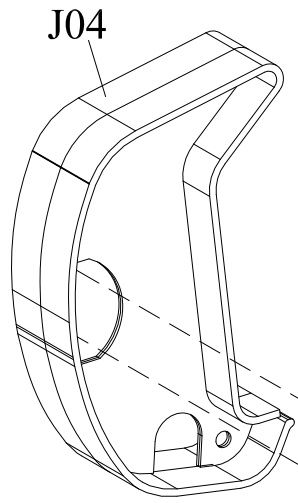
Two sides of PC sheet are covered with thin film, one side's film is transparent, another side's film is opal white. The UV-protected side of PC sheet is covered with transparent film and must face towards the sun.



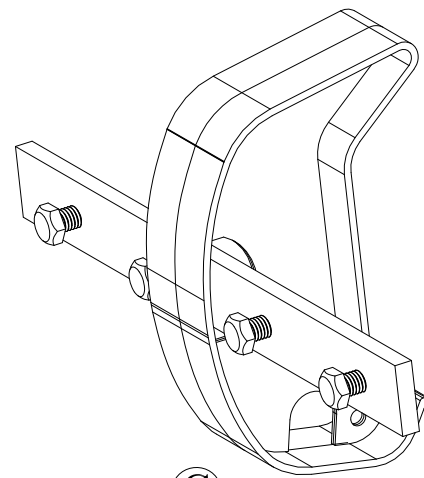
PART	#	mm	Qty.
	Y	3005*600	8



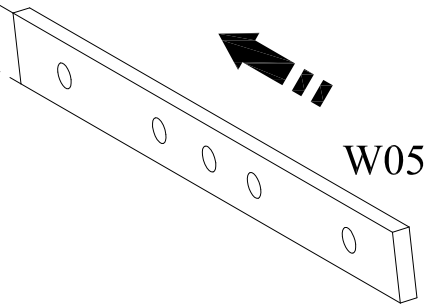
PART	#	mm	Qty.
E	L07L	2456	1
	L07R	2456	1
	Z02	Ø4*16	9
	N03	Ø5*Ø15*1	1



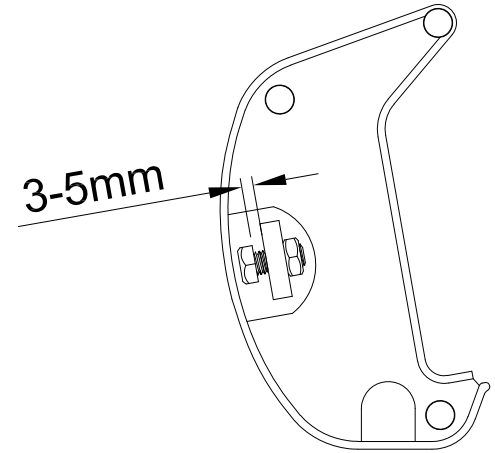
(A)



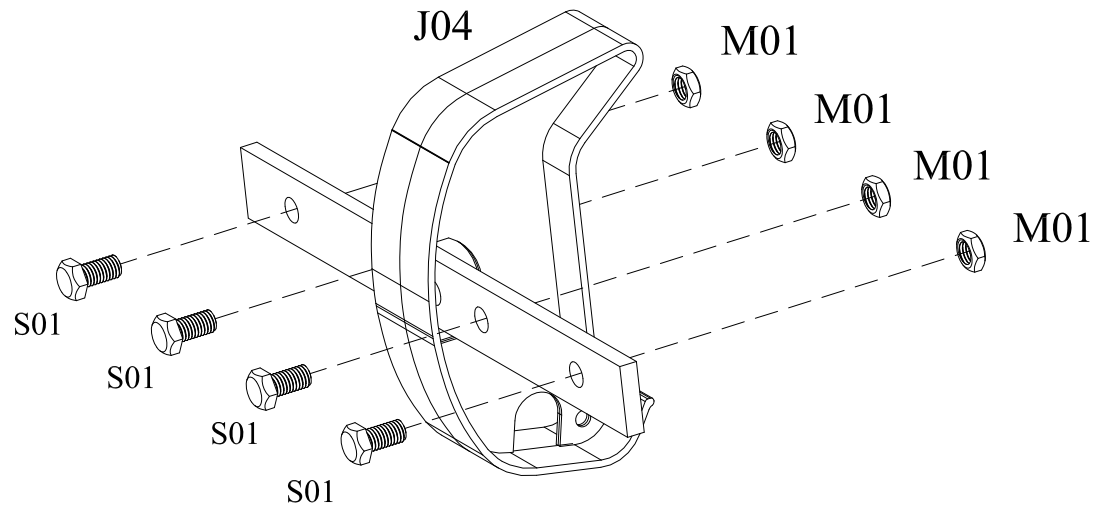
(C)





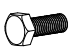

W05

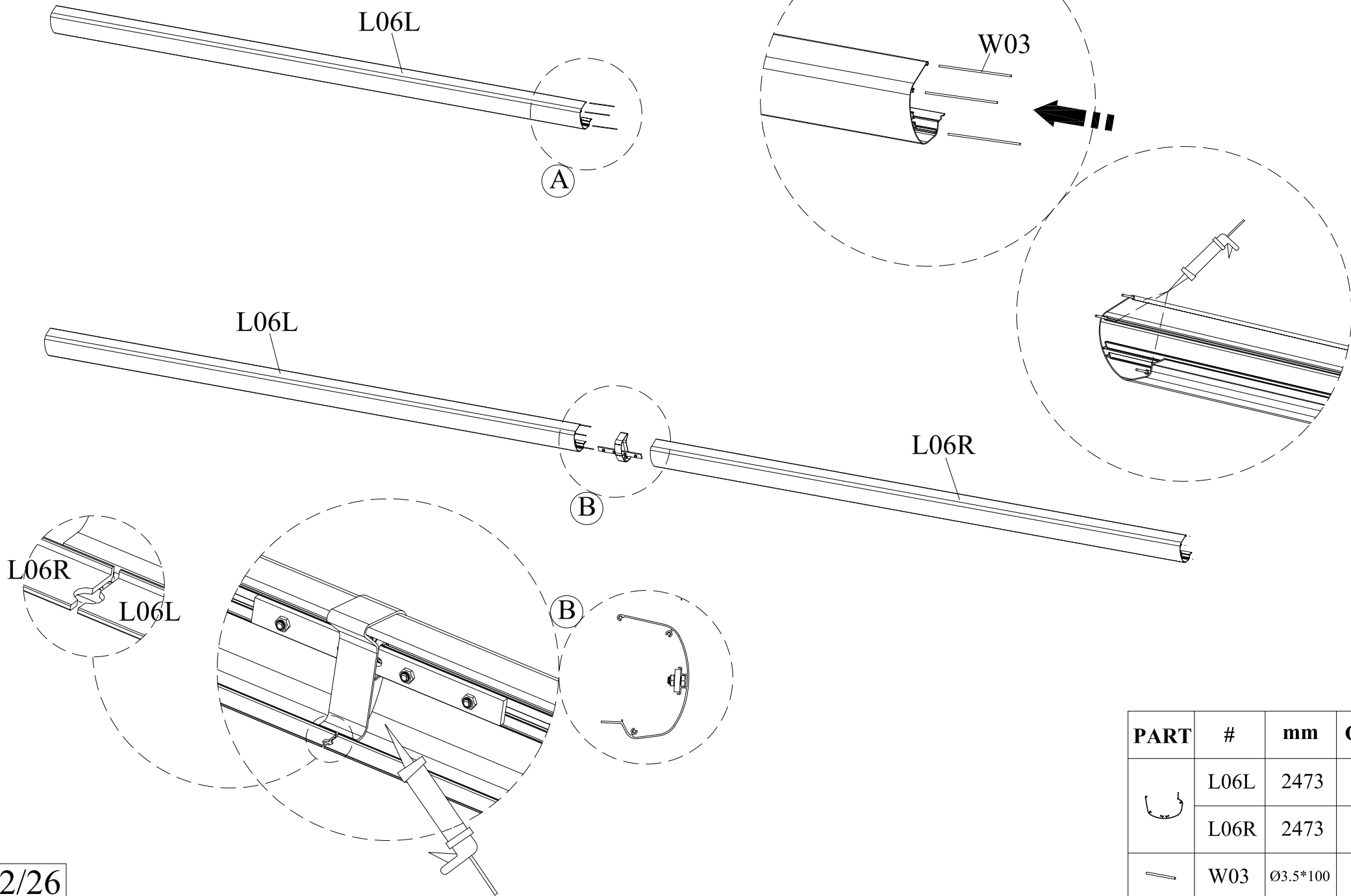




(D)

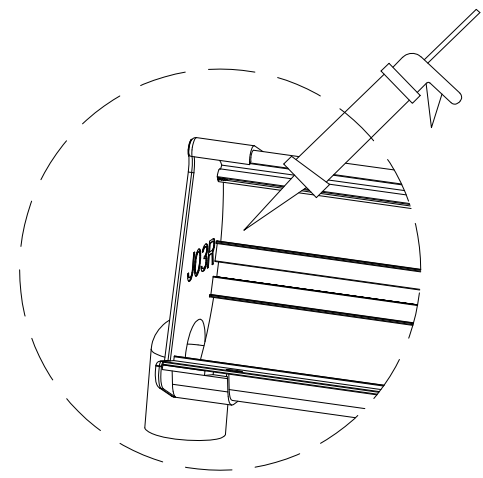
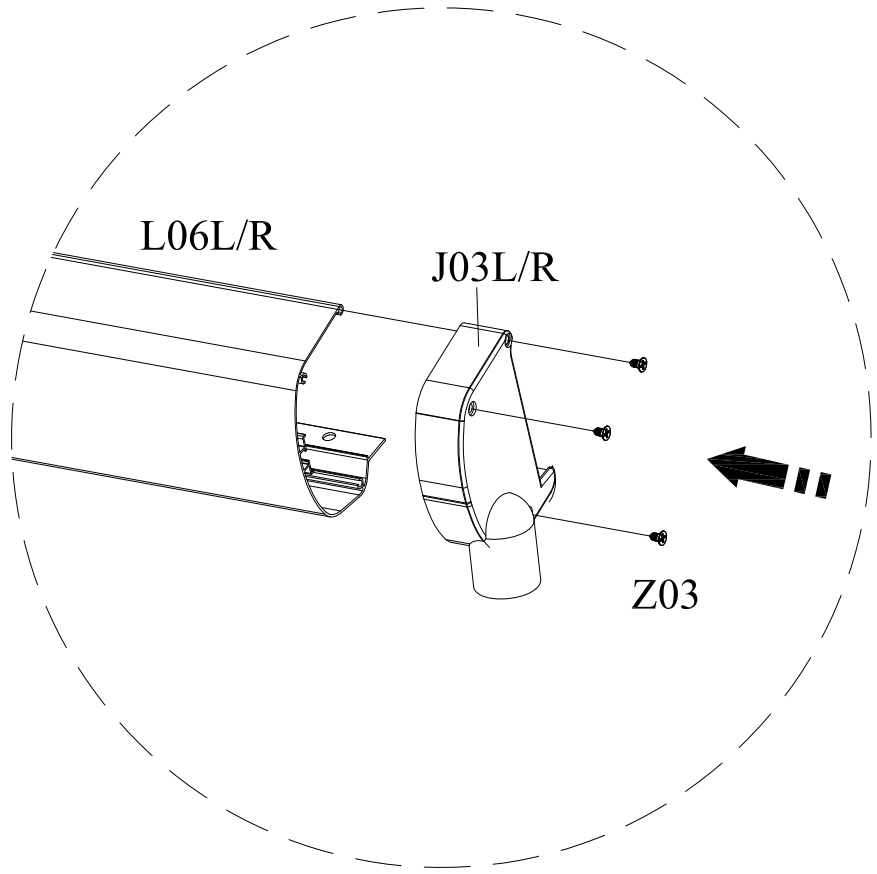
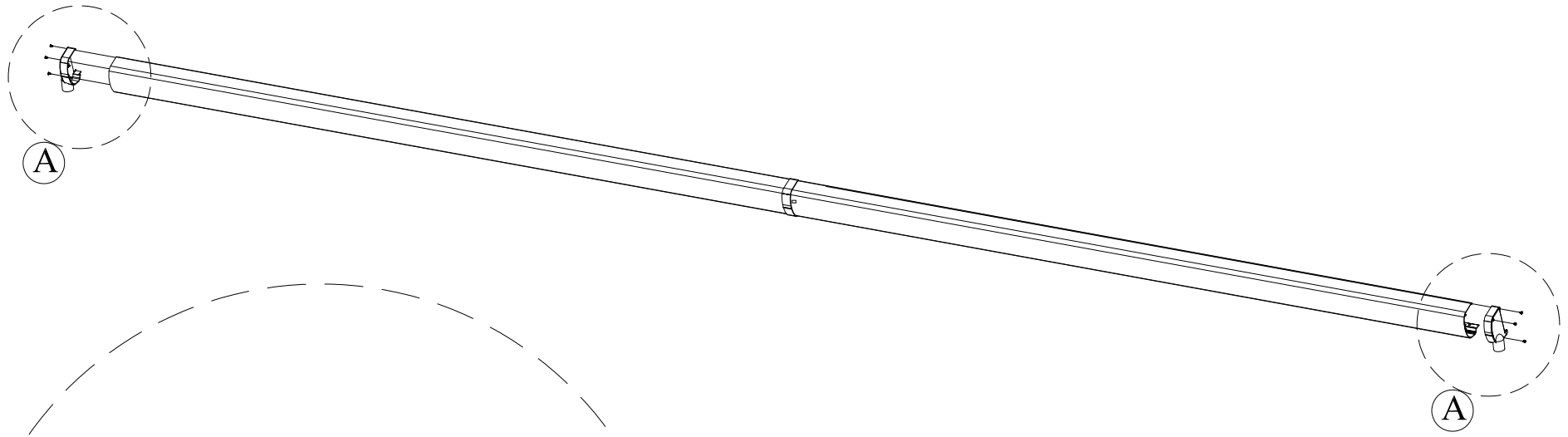





(B)

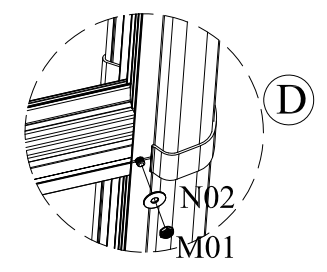
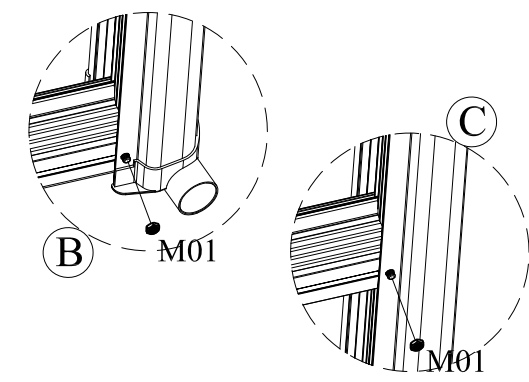
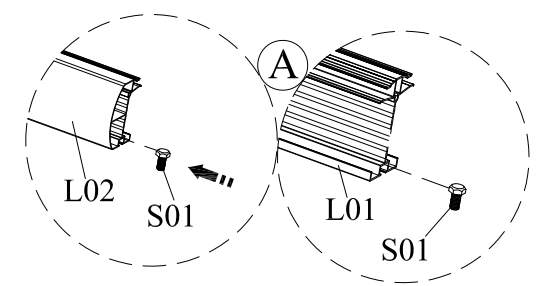
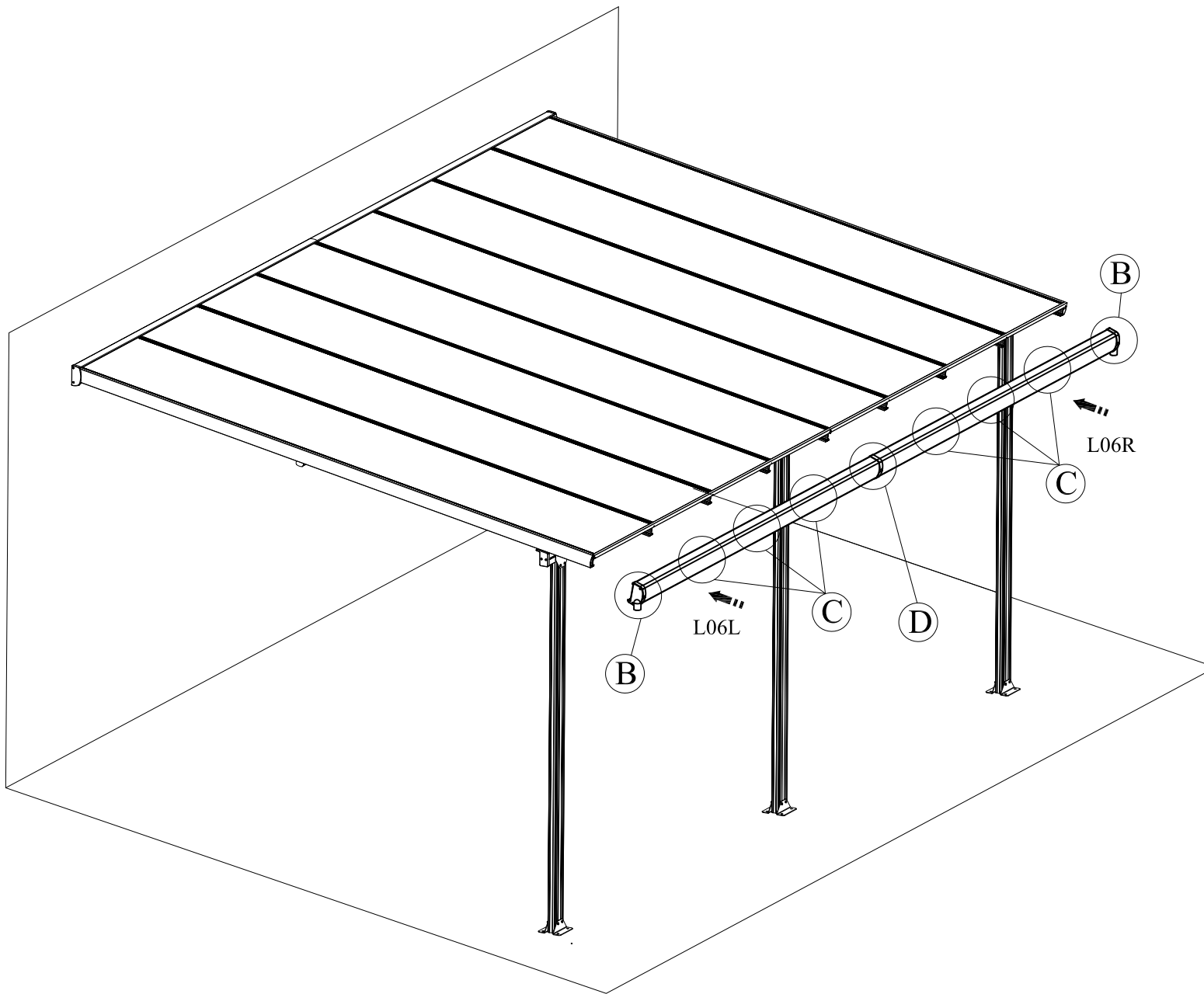
PART	#	mm	Qty.
	J04		1
	W05	200*20*5	1
	S01	M6*12	4
	M01	M6	4

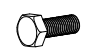




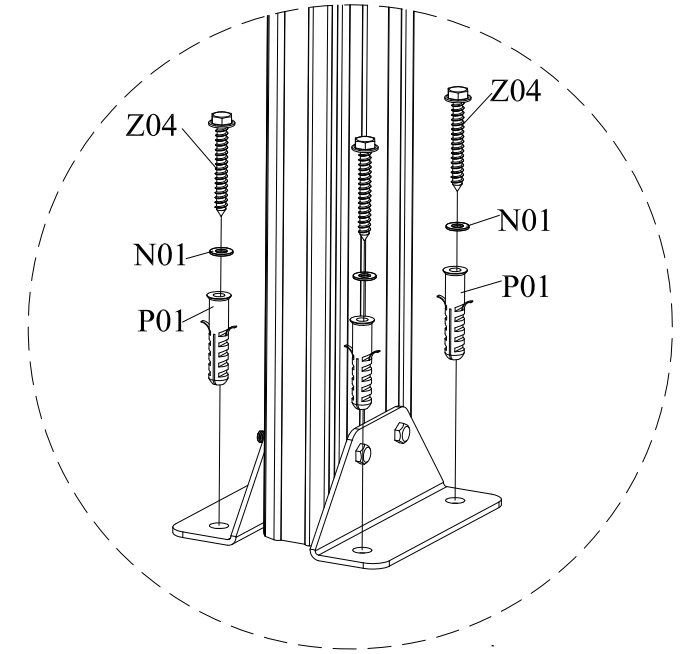
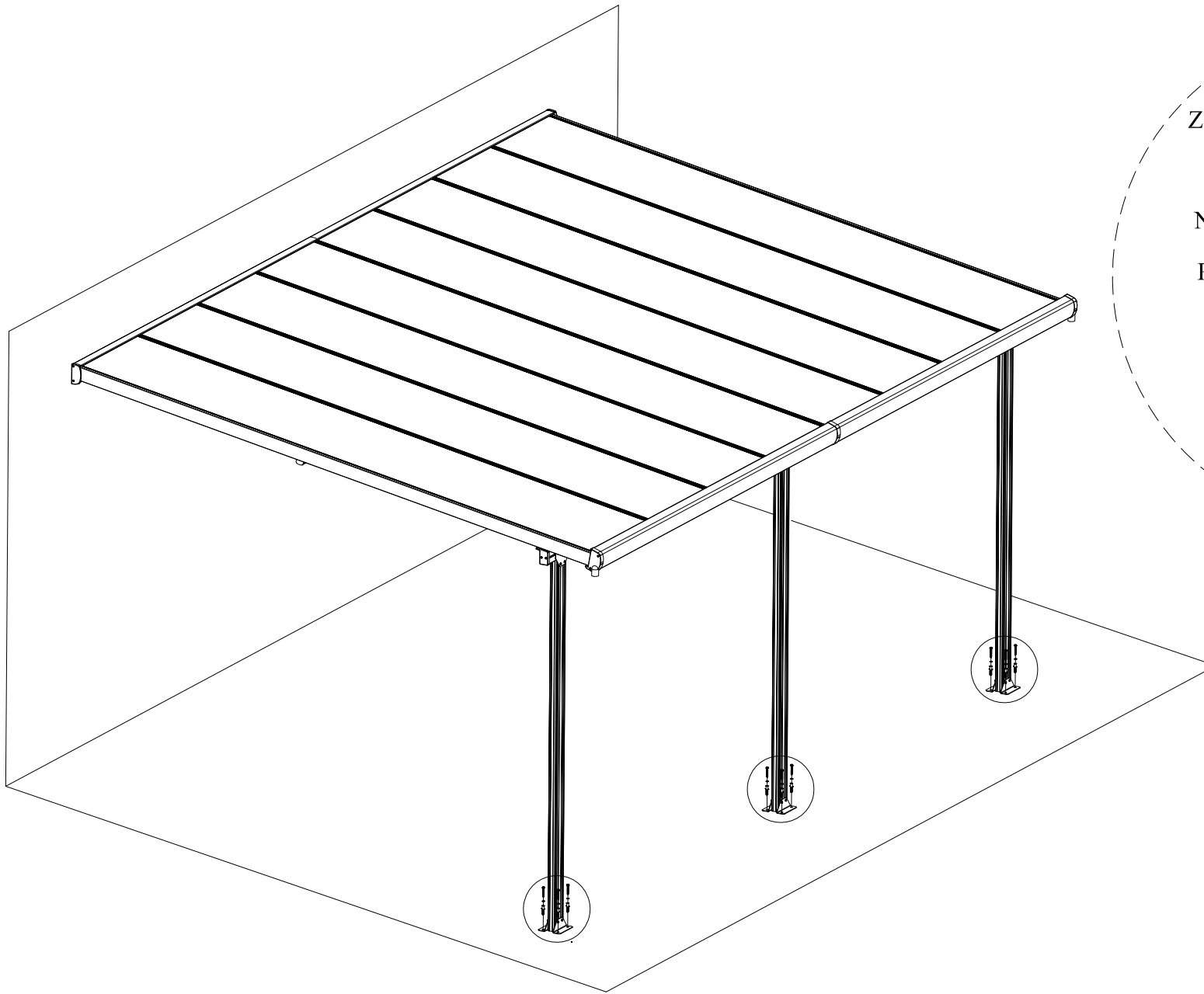
PART	#	mm	Qty.
	L06L	2473	1
	L06R	2473	1
	W03	Ø3.5*100	3






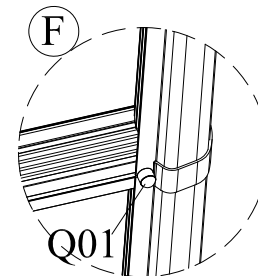
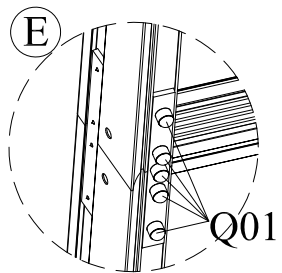
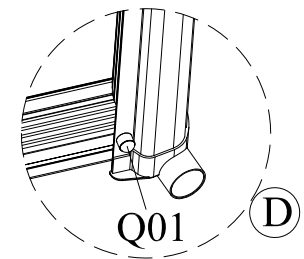
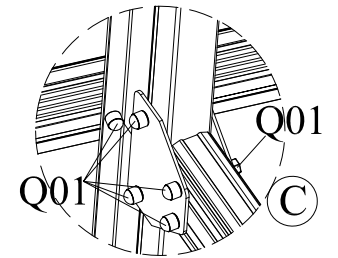
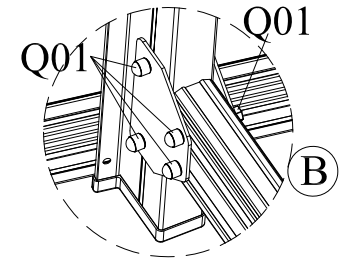
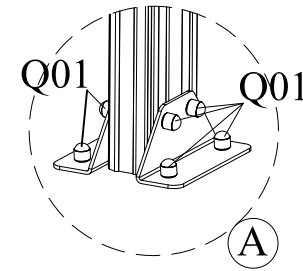
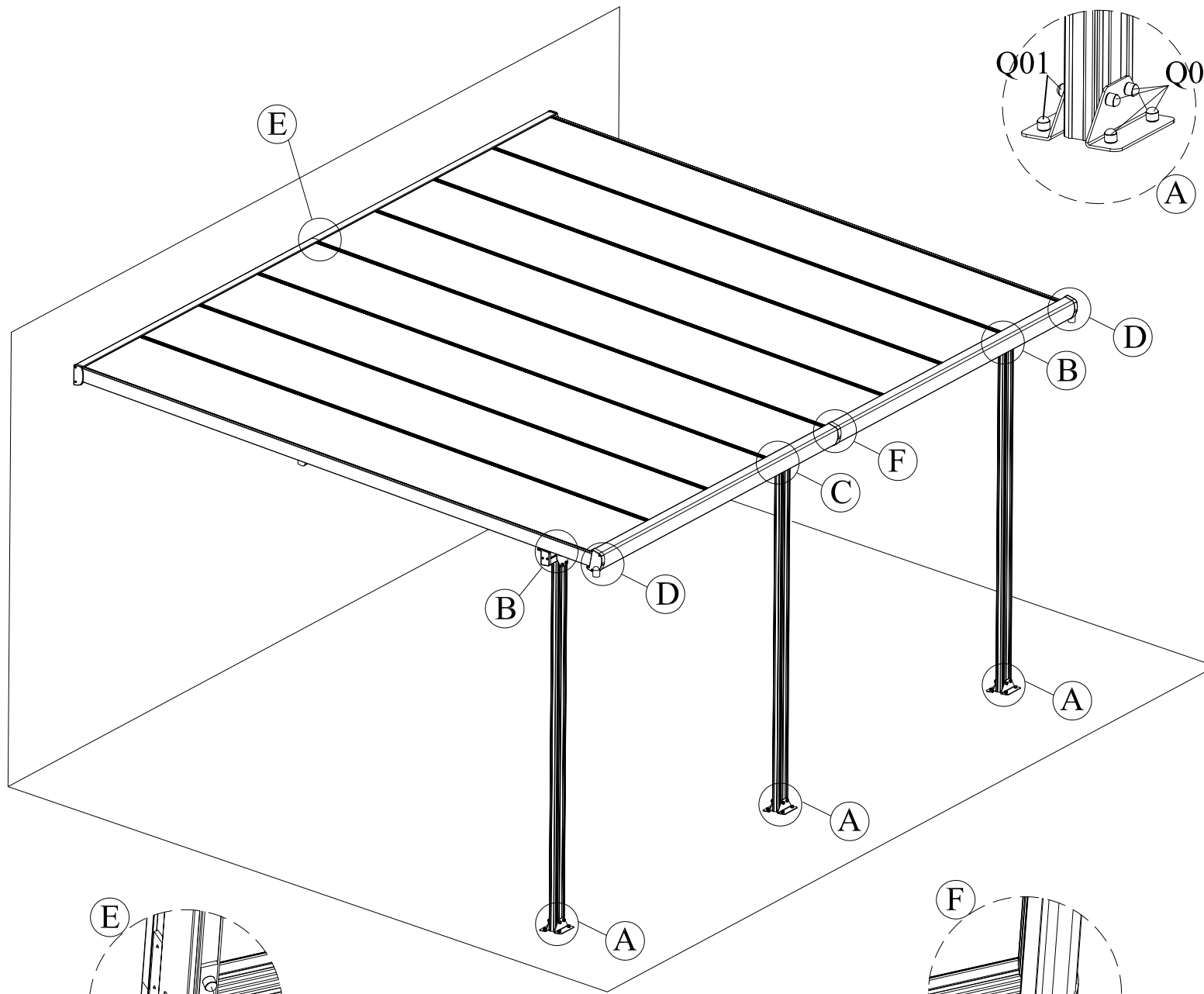
PART	#	mm	Qty.
	J03L		1
	J03R		1
	Z03	Ø4*8	6




PART	#	mm	Qty.
	S01	M6*12	9
	M01	M6	9
	N02	Ø6*Ø18*1	1



PART	#	mm	Qty.
	P01	Ø10*50	12
	Z04	Ø6*50	12
	N01	Ø6*Ø12*1	12



PART	#	mm	Qty.
	Q01	M6*10	83

