

Automatic Vent Opener(HX-T319)

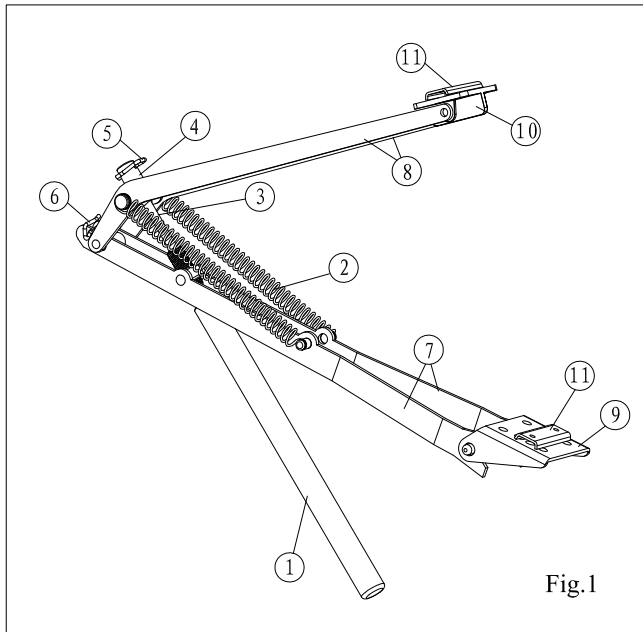


Fig.1

Note:

1. Your automatic vent control is not suitable for use where temperatures will exceed 50°C/122°F.
2. Ensure that your greenhouse window or is able to open and is not obstructed otherwise damage could occur.

Technical data:

- A. Maximum window opening approximately 45 cm/18 " .
- B. Maximum opening at 30°C/86°F depending on adjustment and load.
- C. Suitable for greenhouse vents weighing up to 7kg/15lb.

Components:

See fig. 1.

- | | |
|---------------------|--------------------|
| 1. Cylinder | 7. Arm B |
| 2. Cylinder housing | 8. Arm A |
| 3. Piston rod | 9. Frame bracket |
| 4. Clutch T | 10. Window bracket |
| 5. Hair pin | 11. Clamps |
| 6. Stop pin | |

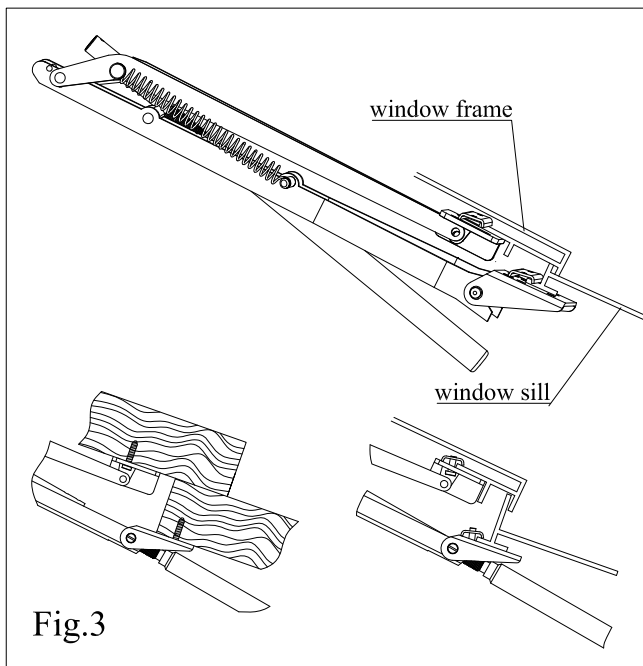


Fig.3

Maintenance:

Lubricate all movable parts with a light oil after fitting, each spring and as required during the summer. Apply petroleum jelly or grease to the cylinder thread occasionally.

Guarantee:

A correctly fitted and used Auto Opener is guaranteed for 1 year provided that it has been fitted and maintained in accordance with the instructions.

Winter-storage:

It is recommended that your Auto Opener-or at least the cylinder- is removed from your greenhouse or cold frame for the winter. Store it in a dry place and **do not forget to lubricate particularly the piston rod before remounting in the spring. Check that the piston rod moves smoothly.**

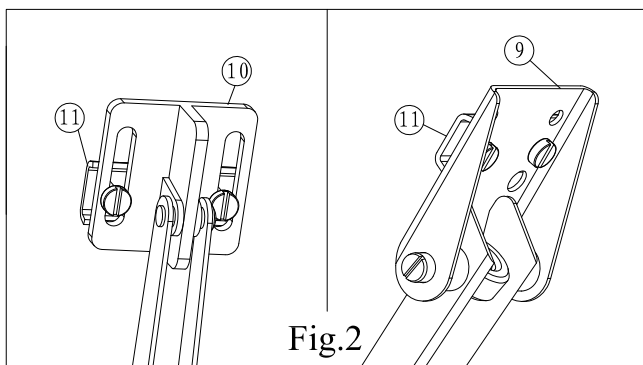


Fig.2

Fitting instructions:

1. Check that your greenhouse -window opens freely and is not obstructed.

Attention: Please ensure the Clutch T (4) is facing the correct direction as shown, otherwise it can cause the mechanism to overload and break.

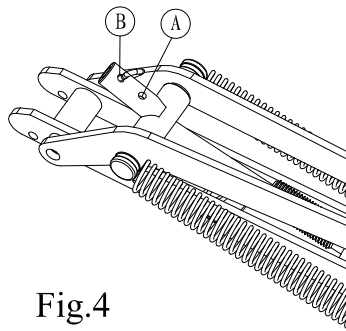


Fig.4

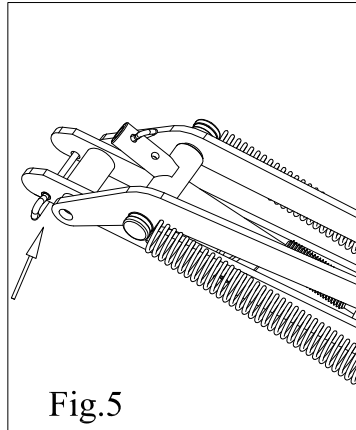


Fig.5

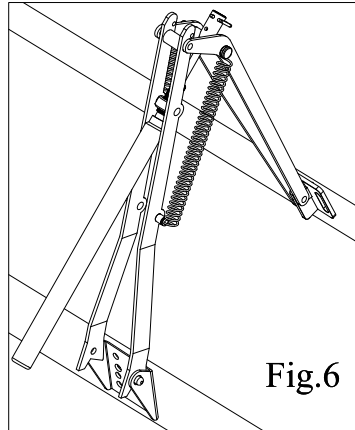


Fig.6

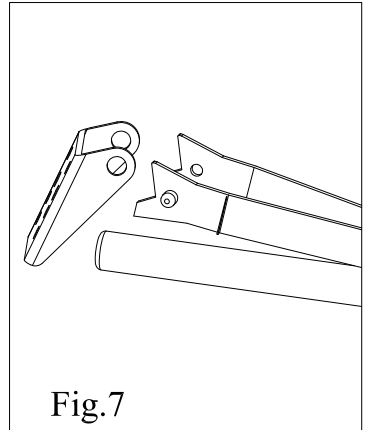


Fig.7

Greenhouses: Window in roof and sides:

2. Loosely fit a clamp (11) to the window bracket (10) using two of the screws supplied. See fig.2. On wooden greenhouses the brackets can be screwed directly on to the woodwork. See fig.3.

3. Choose the most suitable pair of holes and loosely fit the other clamp to the frame bracket (9). Ensure that the upper edge of the frame bracket is as close to the edge of the window frame as possible. See examples in fig.3.

4. Now measure the distance your window will open.

A. If the window will open at least 42cm/16 1/2"

Push the piston rod (3) through the cylinder housing (2) into the clutch T (4). The hole in the piston rod should be placed in line with hole >>a<< in the clutch T. the hair pin (5) should then be fitted through the holes, see fig. 4.

B. If the window will only open between 30 and 42cm/12 " and 16 " :

Follow the same procedure as described above except remove the plastic cap from the clutch T (4) and use hole >>b<< and fit the stop pin (6) onto the arm (7). See the fig.5.

IMPORTANT:

Do not fit the stop pin (6) unless the hair pin (5) is placed in hole >>b<<.

5. Fit the frame bracket to the window sill, see fig.6.

6. Fit the window bracket to the window frame just above the frame bracket.

The window must be in the closed position.

7. Open the window sufficiently to allow you to screw the cylinder into the cylinder housing. Screw in the cylinder until the thread is equal length on both sides of the housing and then release the window.

Adjustments:

It is recommend that the Auto Opener is adjusted only when the temperature in the greenhouse is constant as it will take some time before is has responded completely to changes in the temperature. If you want the Auto Opener to start opening the window at a different temperature, adjustment may be done by turning the cylinder:

Clockwise to achieve an earlier/higher opening.

Counter clockwise to achieve a later/lower opening.

One turn corresponds to approximate $0.5^\circ / 1^\circ\text{F}$. -Please note that the temperature in the greenhouse may vary considerably, also at the individual windows.