

Automatic Vent Opener(HX-T312)

PART LIST (See Fig. 1)

1. Cylinder
2. Cylinder housing
3. Piston rod
4. Arm A
5. Arm B
6. Push rod
7. Stop pin
8. Hair pin
9. Window bracket
10. Frame bracket
11. Clamp
12. Screw

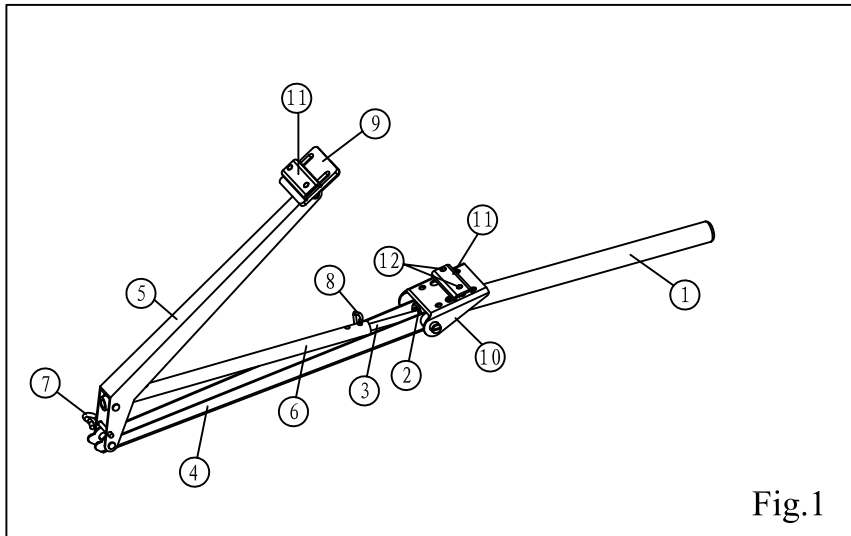


Fig.1

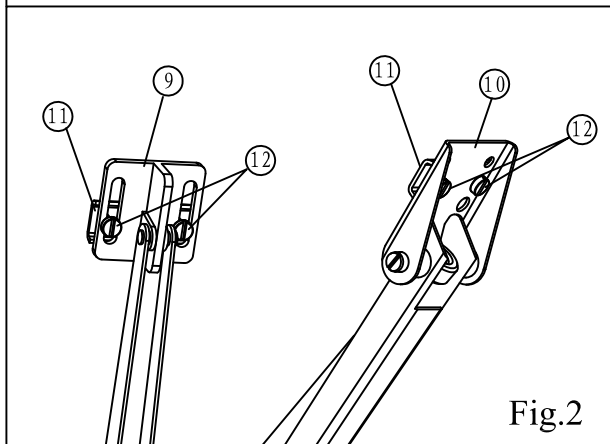


Fig.2

INSTALLATION:

1. The existing window casement stay and fittings shall be removed from the window and frame. Be sure that the window can be opened freely.
2. Use the screws (12) to loosely fix two clamps (11) respectively to the window bracket (9) and frame bracket (10). See fig.2. Make sure the upper edge of the frame bracket is close to the edge of the window frame. If it is wooden greenhouse, the window and frame brackets can be screwed directly onto the woodwork. See fig.3.
3. Fix the cylinder (1) to the cylinder housing (2). See fig. 4.
4. Follow the suitable procedure according to your different window open distance.
 - A. If your window can open at least 40 cm:**
Insert the piston rod (3) into the push rod (6). Fit the hairpin (8) through 2 holes: the hole of the piston rod and the hole of the push rod. See fig.5.
 - B. If your window can only open between 30 and 40 cm:**
Follow the same procedure as above description, the difference is not to use hole , but to use hole <A>. Then insert the stop pin (7) into the hole of arm B (5). See fig.6.
(Attention: Do not fix the stop pin (7) unless the hairpin (8) is placed in hole <A>.)
5. Unscrew the cylinder(1) from the cylinder housing(2), but do not completely remove the cylinder.(The piston rod (3) and push rod (6) shall remain assembled). See fig.7.
6. Fix the frame bracket (10) to the window sill, and fix the window bracket (9) to the window frame just above the frame bracket (10). The window should be closed. See fig.8.
7. Screw the cylinder(1)into the cylinder housing(2)until the thread is equal length on both sides of the housing.

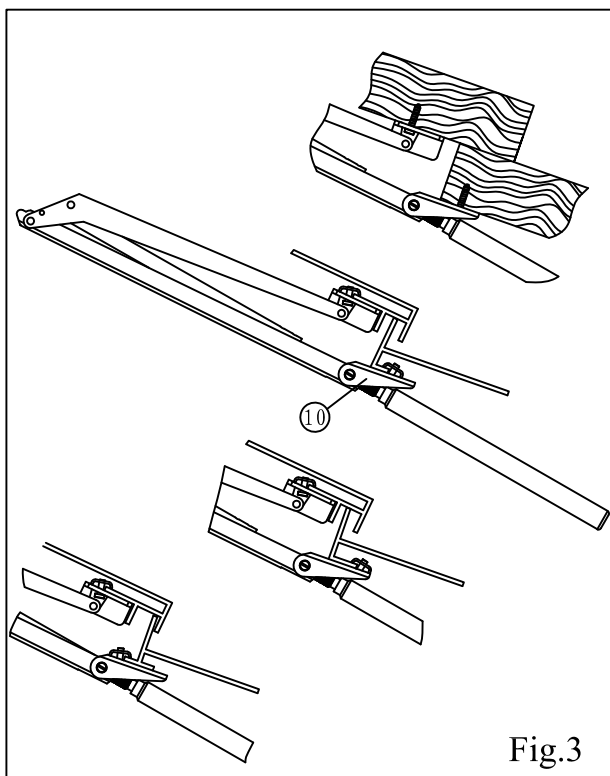


Fig.3

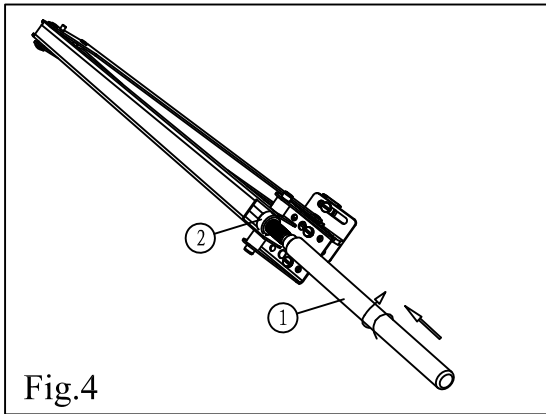


Fig.4

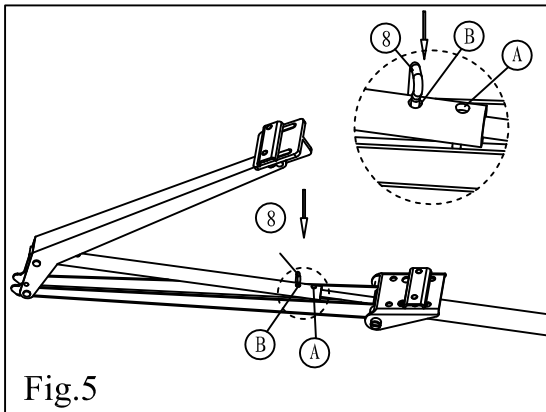


Fig.5

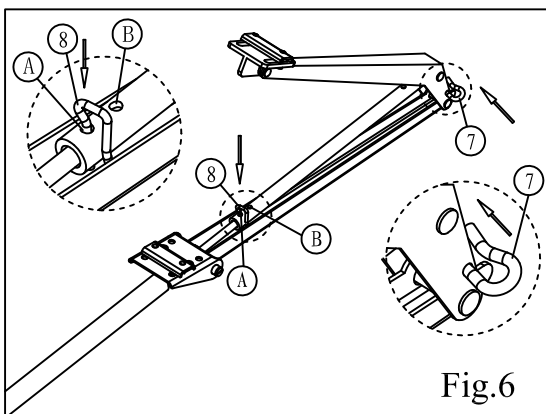


Fig.6

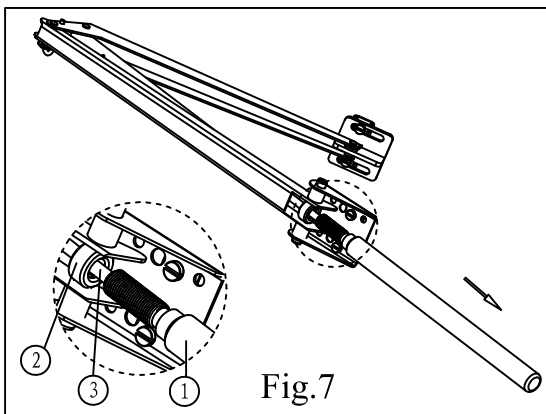


Fig.7

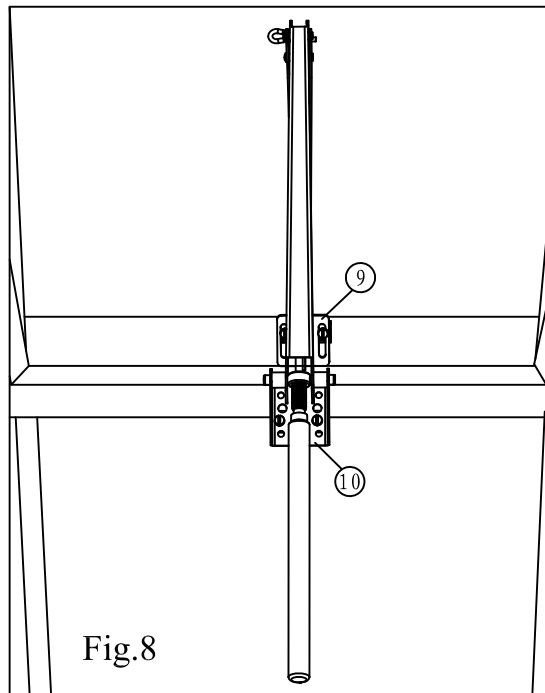


Fig.8

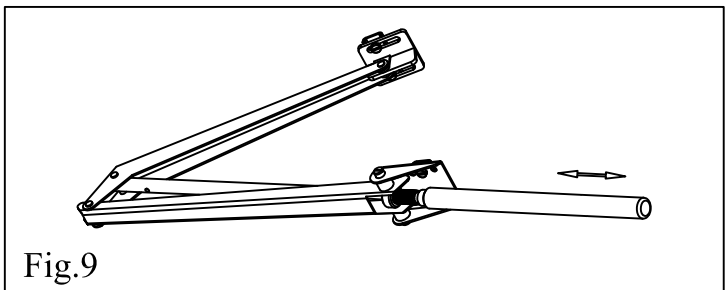


Fig.9

Adjustment:

Turning the cylinder can make your automatic vent opener start opening at different temperature. See fig.9.

Turning clockwise can make higher / earlier opening.

Turning anticlockwise can make lower / later opening.

One complete turn corresponds to approximately 0.5 °C / 1 °F.

Technical data:

- A. Maximum window opening is about 45cm.
- B. Maximum opening at about 30 °C / 86 °F, depending on adjustment and load.
- C. Suitable for greenhouse vents weighting up to 7kg / 15 lb.
- D. Your automatic vent opener can be adjusted to open at temperatures in the range 15°-25 °C / 60°-77 °F.

Storage:

When your automatic vent opener is not used for long time, it is recommended that you remove it (or at least the cylinder) from the greenhouse. It shall be store in a dry place and the piston rod shall be lubricated particularly. Make sure the piston rod can move smoothly before you fix again.

Notice:

Do not heat to more than 50 °C (122 °F)

Do not apply excessive loads by locking or covering window

Do not dismantle the cylinder